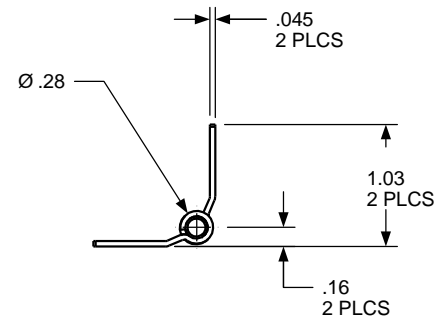
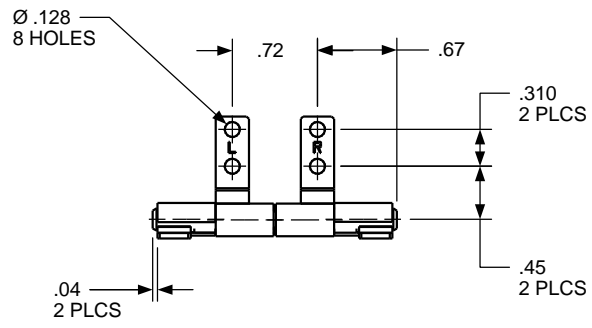
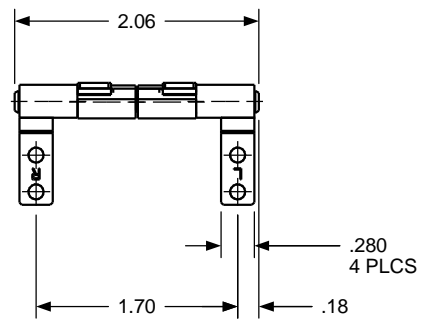
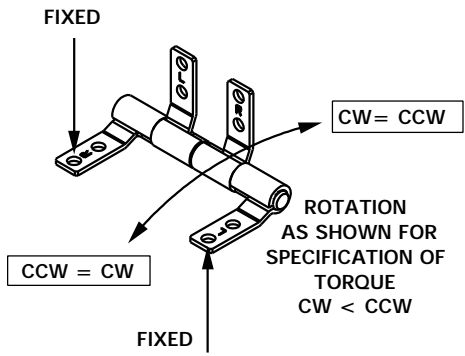


REVISION RECORD				
SYM	DESCRIPTION	BY	DATE	APPD
C	REDRAWN ON NEW FORMAT, NO CHANGES.	RMF	8/4/00	DJC



TORQUE
LOW CCW 5.0 - 9.0 lb. in
MEDIUM CCW 9.0 - 12.0 lb. in
HIGH CCW 12.0 - 15.0 lb. in

USED ON	SOLID	REV	TOLERANCES	DRAWN BY	DATE	ENGLISH		TorqMaster, Inc. Stamford, CT USA		
STANDARD	202	0.0	ENGLISH	RA	5/9/97	MATERIAL		N/A		
NEXT ASSY	NONE		.XX ±.015 in	CHECKED BY	DATE	TITLE				
QUANTITY			.XXX ±.005 in	DJC	5/9/97	HINGE INTERFACE				
PER ASSY, pcs	-		.XXXX ±.0002 in			SIZE	SB 188 SB 202			REV
TOTAL, pcs	-					B				C
THIS INFORMATION IS PROPRIETARY TOTORMASTER, INC. THE POSSESSOR AGREES TO MAINTAIN IT IN CONFIDENCE . NOT REPRODUCING OR REVEALING IT IN WHOLE OR IN PART.					SCALE		1:1		SHEET 1 OF 1	