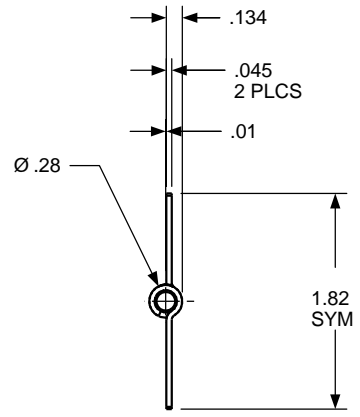
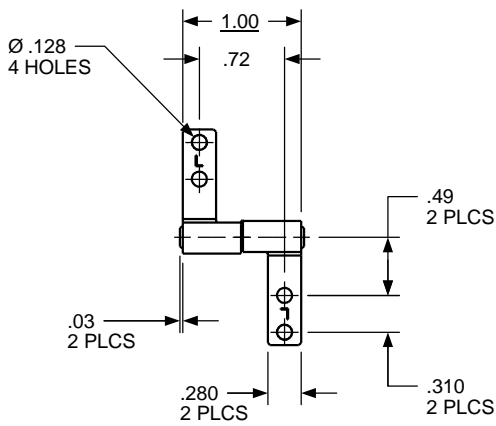
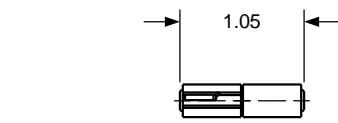


TORQUE
<u>LOW</u> CCW 2.5 - 4.5 lb. in
<u>MEDIUM</u> CCW 4.5 - 6.0 lb. in
<u>HIGH</u> CCW 6.0 - 7.5 lb. in

REVISION RECORD				
SYM	DESCRIPTION	BY	DATE	APPD
B	REDRAWN ON NEW FORMAT, NO CHANGES.	RMF	8/2/00	DJC



USED ON	SOLID	REV	TOLERANCES	DRAWN BY	DATE	<div style="border: 1px solid black; padding: 2px;">ENGLISH</div>	
STANDARD	121	0.0	ENGLISH	RMF	8/2/00	MATERIAL N/A	
NEXT ASSY	NONE		.XX ±.015 in	CHECKED BY	DATE	TITLE HINGE INTERFACE	
QUANTITY			.XXX ±.005 in	YK	8/2/00	SIZE B	
PER ASSY, pcs	-		.XXXX ±.0002 in			SB 188 SB 121	
TOTAL, pcs	-					SCALE 1:1	REV B
THIS INFORMATION IS PROPRIETARY TOTORQMASTER, INC. THE POSSESSOR AGREES TO MAINTAIN IT IN CONFIDENCE, NOT REPRODUCING OR REVEALING IT IN WHOLE OR IN PART.						SHEET 1 OF 1	