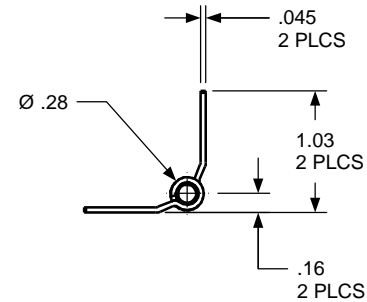
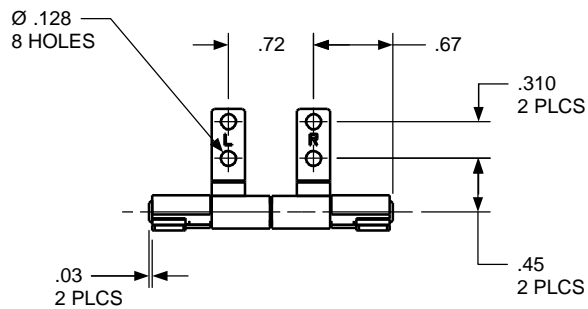
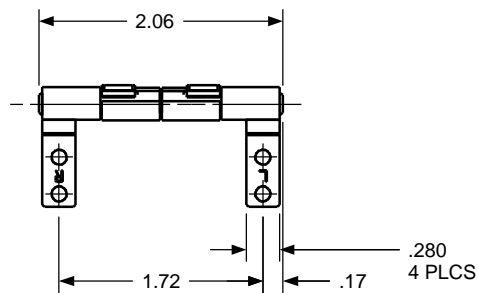


ROTATION
AS SHOWN FOR
SPECIFICATION OF
TORQUE
CW < CCW



REVISION RECORD				
SYM	DESCRIPTION	BY	DATE	APPD
F	REVISED PER ECN 02038.	RMF	6/4/02	DJC

TORQUE
LOW CCW 5.0 - 9.0 lb. in
MEDIUM CCW 9.0 - 12.0 lb. in
HIGH CCW 12.0 - 15.0 lb. in

NOTE:

- FOR OPPOSITE UNBALANCED TORQUE CONFIGURATION SEE PART NO. SB 188 SB 212.

USED ON	SOLID	REV	TOLERANCES	DRAWN BY	DATE	TorqMaster, Inc. Stamford, CT USA	
STANDARD	202	C	ENGLISH	RA	5/9/97	ENGLISH	
NEXT ASSY	N/A		.XX ±.015 IN .XXX ±.005 IN	CHECKED BY	DATE	MATERIAL	N/A
QUANTITY				DJC	5/9/97	TITLE	HINGE INTERFACE
PER ASSY, PCS	-					SIZE	SB 188 SB 202
TOTAL, PCS	-					REV	F
THIS INFORMATION IS PROPRIETARY TOTOROMASTER, INTL. THE POSSESSOR AGREES TO MAINTAIN IT IN CONFIDENCE, NOT REPRODUCING OR REVEALING IT IN WHOLE OR IN PART.						SCALE	1:1
						SHEET	1 OF 1