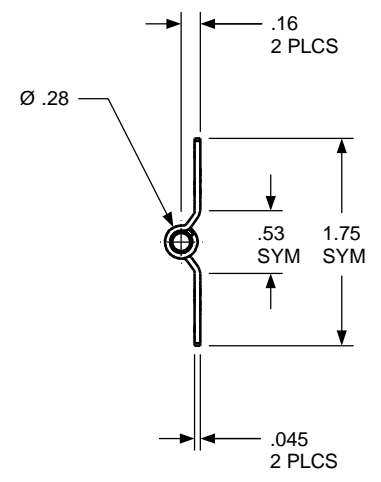
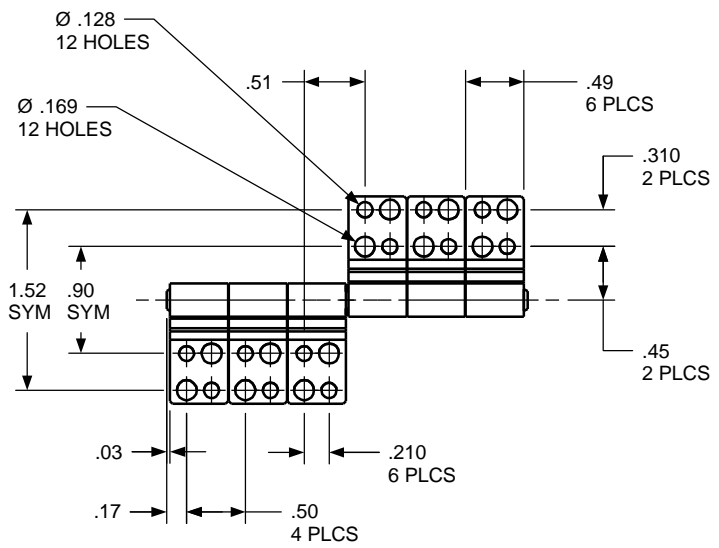
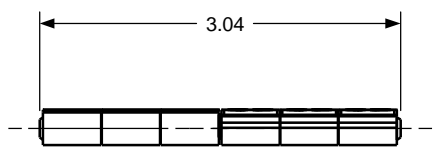


| TORQUE       |                    |
|--------------|--------------------|
| LOW<br>CW    | 7.5 - 13.5 lb. in  |
| MEDIUM<br>CW | 13.5 - 18.0 lb. in |
| HIGH<br>CW   | 18.0 - 22.5 lb. in |



| REVISION RECORD |                           |     |          |      |
|-----------------|---------------------------|-----|----------|------|
| SYM             | DESCRIPTION               | BY  | DATE     | APPD |
| A               | RELEASED FOR MANUFACTURE. | RMF | 11/11/02 | DJC  |

| USED ON  | SOLID | REV | TOLERANCES                                       |  | ENGLISH / METRIC |         | TORQMASTER INTERNATIONAL |              | 200 HARVARD AVE<br>STAMFORD, CT USA |  |
|--|-------|-----|--|--|------------------|---------|--------------------------|--------------|-------------------------------------|--|
| STANDARD   | 352   | A   | ENGLISH  | METRIC   |                  |         |                          |              |                                     |  |
| NEXT ASSY  | N/A   |     | .XX ±.015 IN<br>.XXX ±.005 IN<br>.XXXX ±.0002 IN | .X ±.0.3 MM<br>.XX ±.0.13 MM<br>.XXX ±.0.05 MM | DRAWN BY         | DATE    | MATERIAL N/A             |              |                                     |  |
| QUANTITY   |       |     | ANGLES ±0.5°<br>SURFACE 63 μ                     |  | RMF              | 11/5/02 | TITLE HINGE INTERFACE    |              |                                     |  |
| PER ASSY, PCS  | -     |     |  |  | CHECKED BY       | DATE    | SIZE B                   |              | REV A                               |  |
| TOTAL, PCS   | -     |     |  |  | DJC              | 11/5/02 | SB 188 SB 352            |              |                                     |  |
| THIS INFORMATION IS PROPRIETARY TO TORQMASTER, INTL. THE POSSESSOR AGREES TO MAINTAIN IT IN CONFIDENCE, NOT REPRODUCING OR REVEALING IT IN WHOLE OR IN PART. |       |     |  |  |                  |         | SCALE 1:1                | SHEET 1 OF 1 |                                     |  |