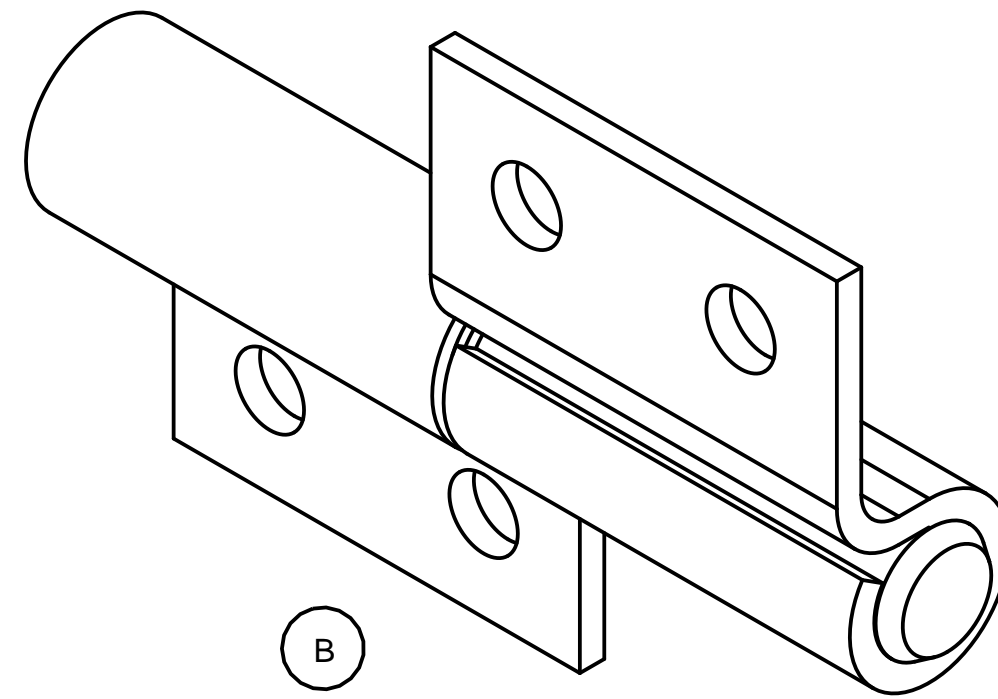
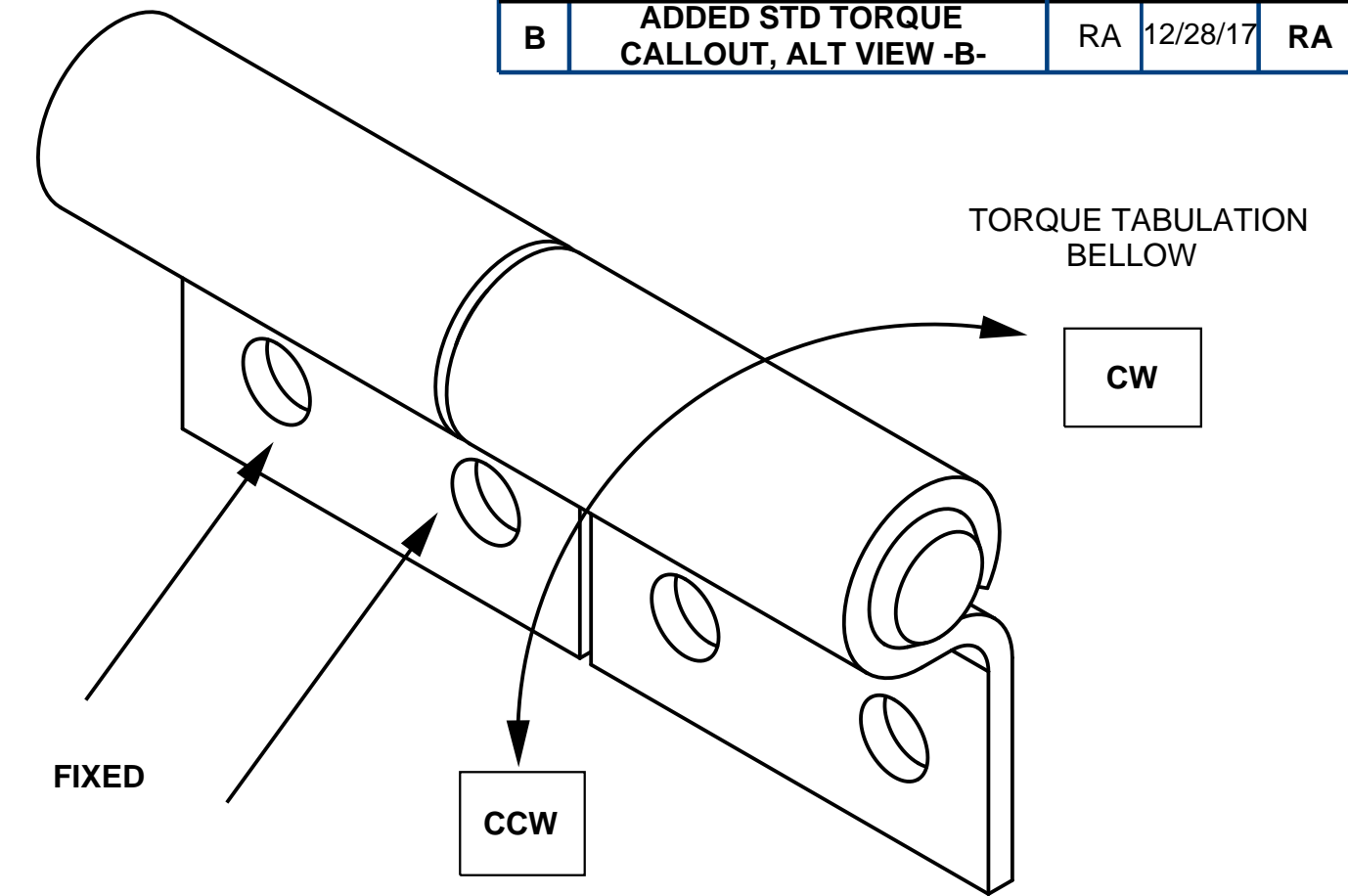


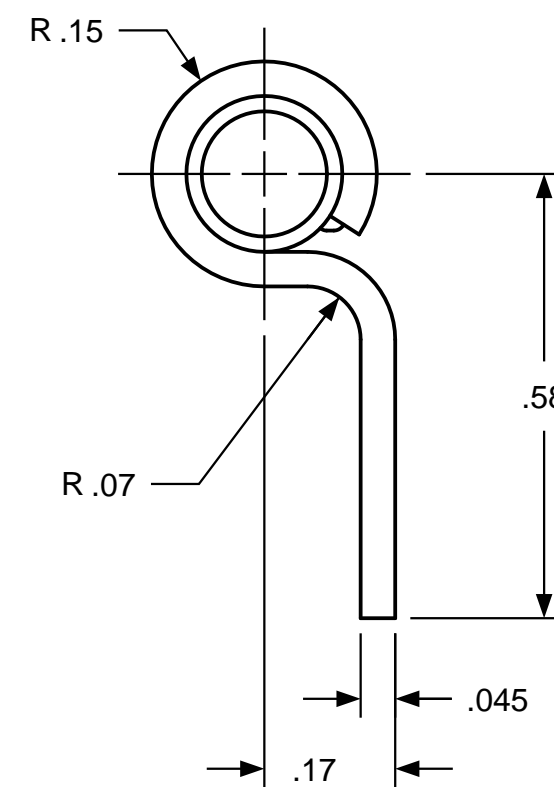
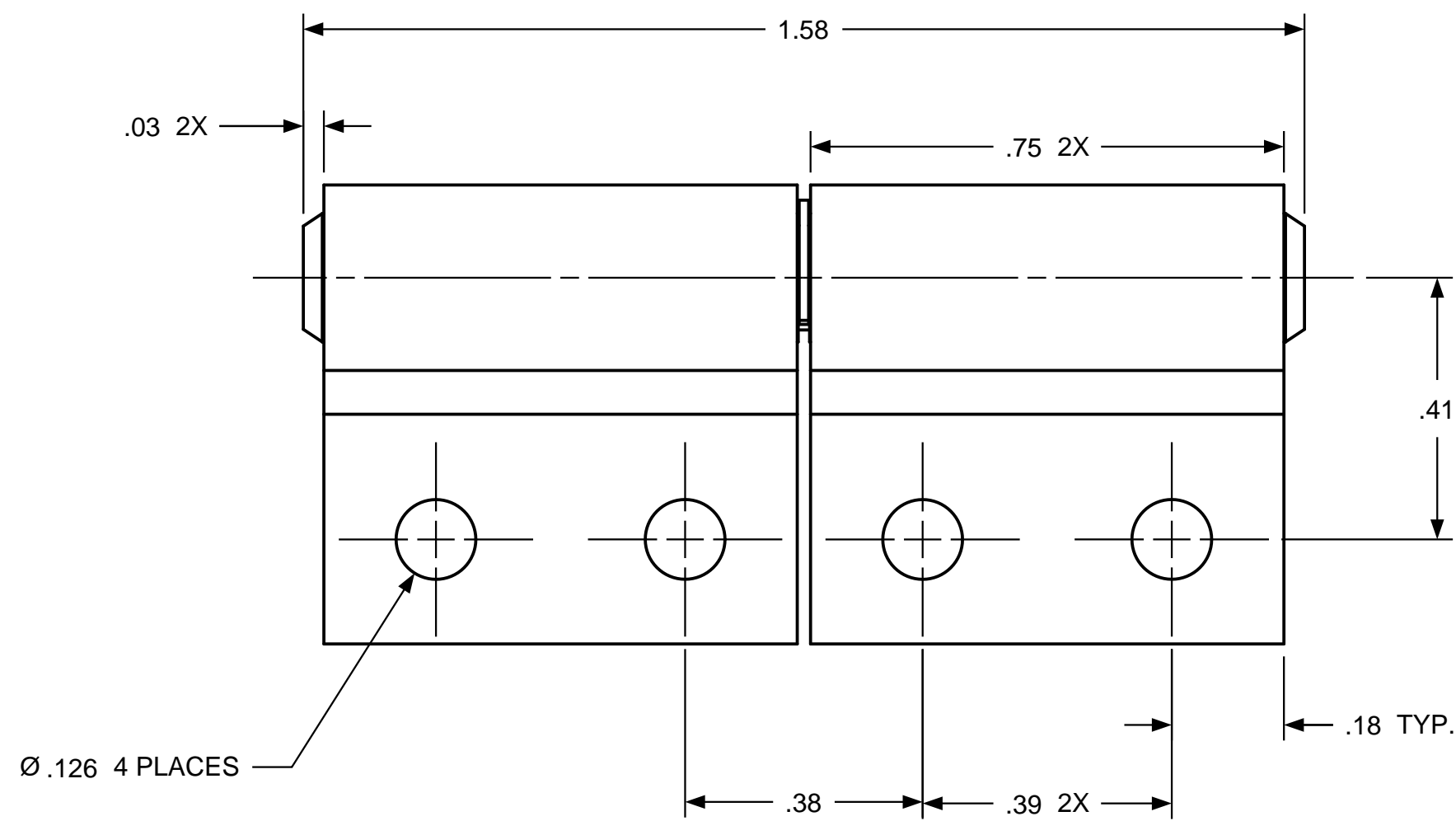
REVISION RECORD				
SYM	DESCRIPTION	BY	DATE	APPD
A	RELEASED FOR MFG.	VC	7/15/13	RA
B	ADDED STD TORQUE CALLOUT, ALT VIEW -B-	RA	12/28/17	RA



ALTERNATE ORIENTATION -B-



ROTATION AS SHOWN FOR CALLOUT OF TORQUE
CW=CCW



TORQUE CALLOUT
-1- 2.0 - 4.0 lb. in
-2- 4.0 - 6.0 lb. in
-3- 6.0 - 8.5 lb. in
-4- 8.5 - 11.0 lb. in
-5- 11.0 - 15.0 lb. in

(B)

TORQUE CALLOUT TO FOLLOW MAIN PART #
EXP: SB 200 SB 103 - 3 (TORQUE CW AS SHOWN 6.0-8.5 IN LB.)

USED ON	SOLID	REV	TOLERANCES		ENGLISH / METRIC		TORQMASTER INTERNATIONAL		200 HARVARD AVE STAMFORD, CT USA	
STANDARD	103		ENGLISH	METRIC						
NEXT ASSY	N/A		.XX ±.015 IN	.X ±.3 MM	DRAWN BY	DATE	MATERIAL N/A			
QUANTITY			.XXX ±.005 IN	.XX ±.13 MM	RA	4/15/09	TITLE HINGE INTERFACE			
PER ASSY, PCS	-		.XXXX ±.0002 IN	.XXX ±.05 MM	CHECKED BY	DATE	SIZE C		REV B	
TOTAL, PCS	-		ANGLES ±0.5° SURFACE 63μ		VC	4/15/13	SB 200 SB 103			
THIS INFORMATION IS PROPRIETARY TO TORQMASTER, INTL. THE POSSESSOR AGREES TO MAINTAIN IT IN CONFIDENCE, NOT REPRODUCING OR REVEALING IT IN WHOLE OR IN PART.							SCALE	1:1	SHEET	1 OF 1