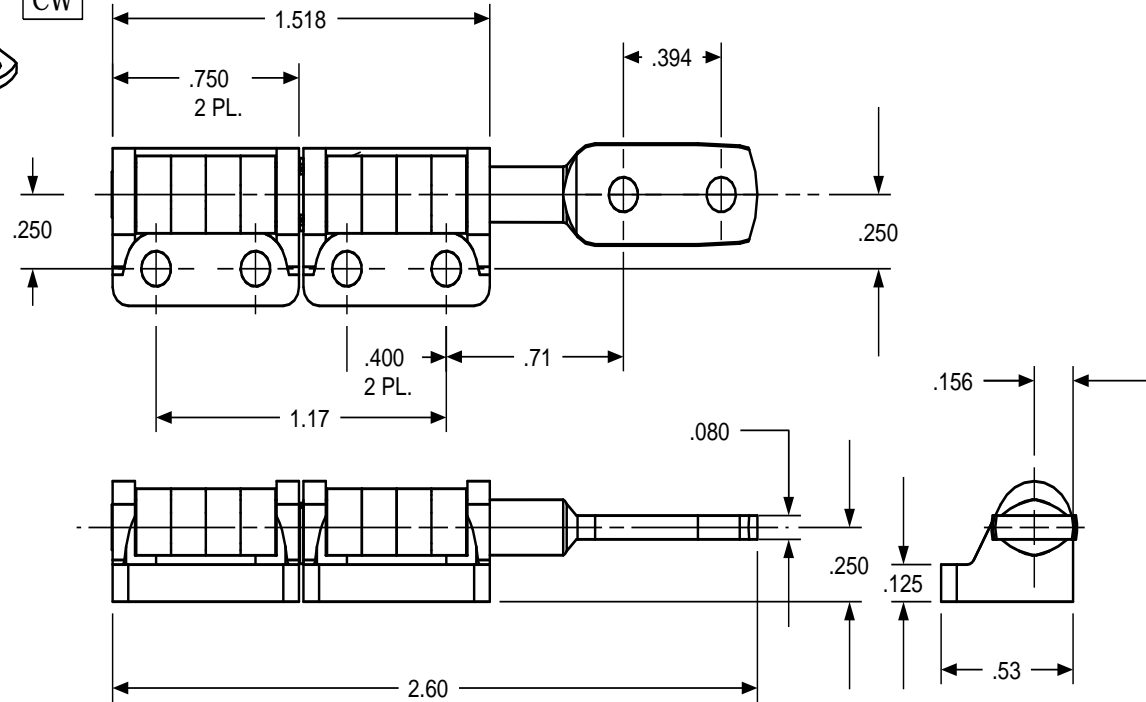
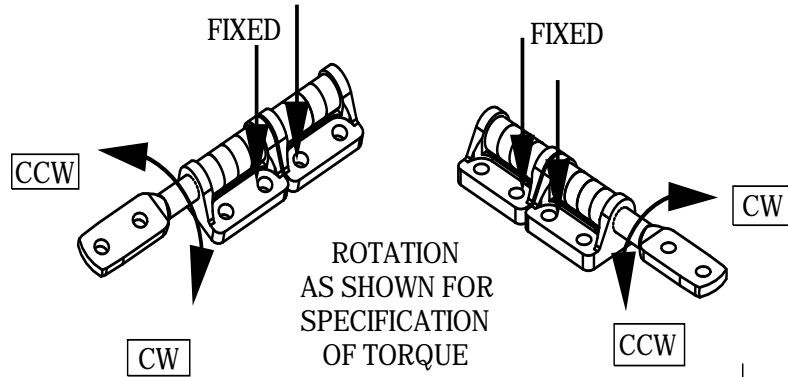


REVISION RECORD

SYM	DESCRIPTION	BY	DATE	APPD
A	RELEASED FOR PRODUCTION	DJC	02-11-11	DJC

LEFT HAND

RIGHT HAND



TORQUE

GEOMETRY	TORQUE		HAND
	CW TORQUE	CCW TORQUE	
ZE-188-CF-214	-10	-10	-L
ZE-188-CF-214	-10	-10	-R
ZE-188-CF-214	-13	-13	-L
ZE-188-CF-214	-13	-13	-R
ZE-188-CF-214	-16	-16	-L
ZE-188-CF-214	-16	-16	-R

CUSTOM TORQUE CONFIGURATIONS AVAILABLE. FOR QUOTE:
 www.torqmaster.com
 1-888-41 HINGE

USED ON	SOLID	REV	TOLERANCES	DRAWN BY	DATE	TorqMaster, Inc. Stamford, CT USA	
STANDARD	214	C	ENGLISH	DJC	02/11/11	ENGLISH	
NEXT ASSY	NONE		.XX ±.015 IN .XXX ±.005 IN	CHECKED BY	DATE	MATERIAL	N/A
QUANTITY				DJC	02/11/11	TITLE	HINGE INTERFACE
PER ASSY, PCS	-					SIZE	ZE 188 CF 214
TOTAL, PCS	-					REV	A
THIS INFORMATION IS PROPRIETARY TO TORQMASTER, INTL. THE POSSESSOR AGREES TO MAINTAIN IT IN CONFIDENCE, NOT REPRODUCING OR REVEALING IT IN WHOLE OR IN PART.						SCALE	NTS
						SHEET	1 OF 1