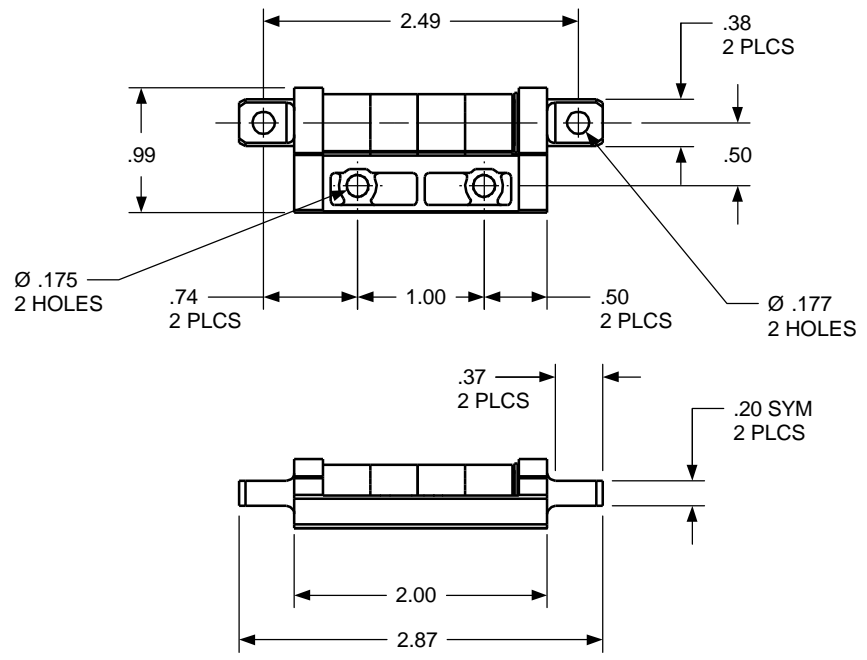


REVISION RECORD				
SYM	DESCRIPTION	BY	DATE	APPD
A	RELEASE FOR SALES ONLY.	RMF	2/13/03	DJC



TORQUE		
GEOMETRY	CW TORQUE	CCW TORQUE
ZE-375-CF-154	20	20
ZE-375-CF-154	30	30
ZE-375-CF-154	40	X
ZE-375-CF-154	X	40

CUSTOM TORQUE CONFIGURATIONS AVAILABLE. FOR QUOTE: [www.torqmaster.com](http://www.torqmaster.com) 1-888-41-HINGE

USED ON	SOLID	REV	TOLERANCES		ENGLISH / METRIC		TORQMASTER INTERNATIONAL	
STANDARD	154	0.0	ENGLISH	METRIC			200 Harvard Ave Stamford, CT USA	
NEXT ASSY	N/A		.XX ±.015 IN .XXX ±.005 IN .XXXX ±.0002 IN	.X o.3 MM .XX o.13 MM .XXX o.05 MM	DRAWN BY	DATE	MATERIAL	
QUANTITY					RMF	2/6/02	TITLE	
PER ASSY, PCS	-		ANGLES o0.5p SURFACE 63 μ		CHECKED BY	DATE	HINGE INTERFACE	
TOTAL, PCS	-				DJC	2/6/02	SIZE	REV
THIS INFORMATION IS PROPRIETARY TO TORQMASTER, INTL. THE POSSESSOR AGREES TO MAINTAIN IT IN CONFIDENCE, NOT REPRODUCING OR REVEALING IT IN WHOLE OR IN PART.							B	A
							SCALE	SHEET
							1:2	1 OF 1