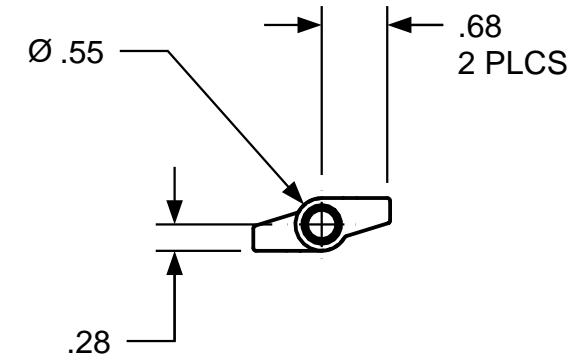
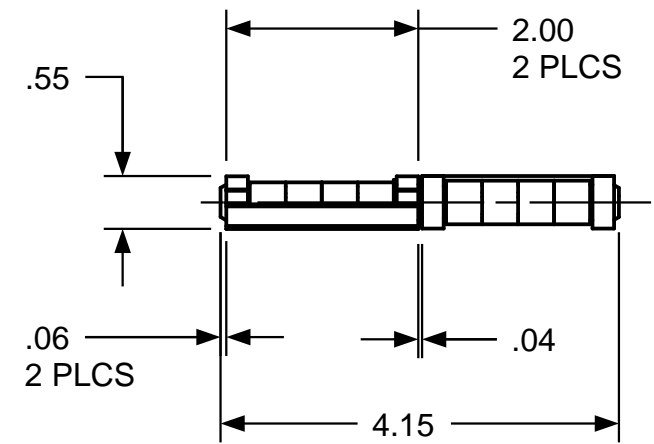
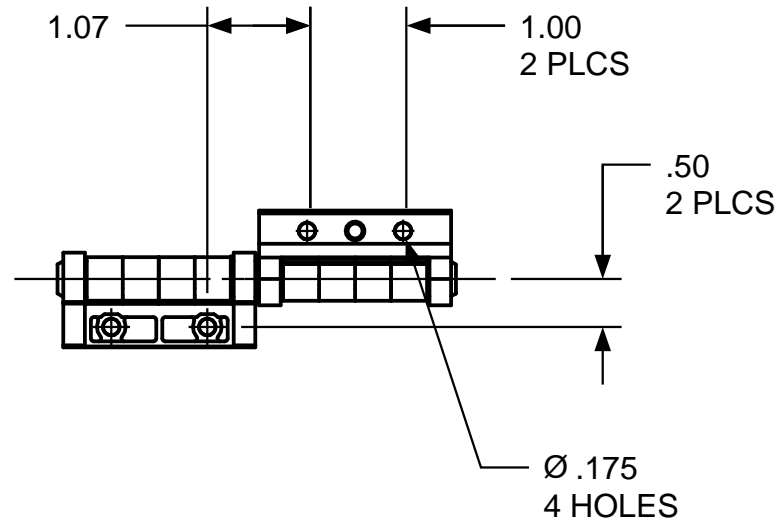
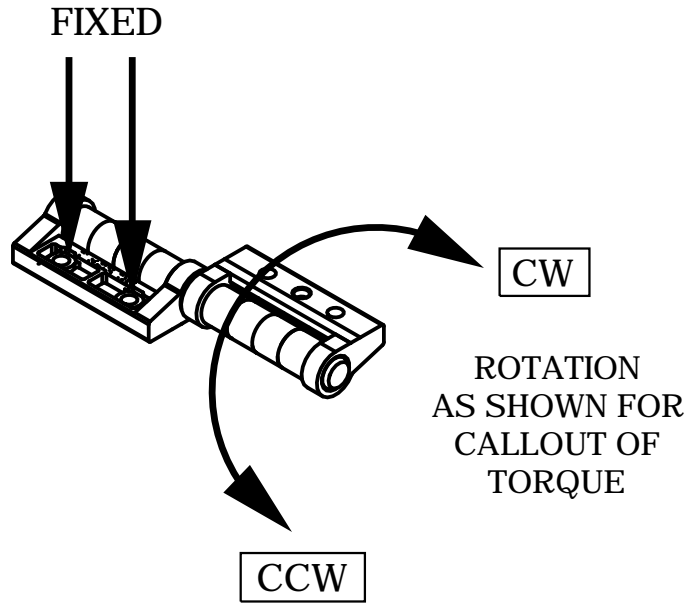


REVISION RECORD				
SYM	DESCRIPTION	BY	DATE	APPD
C	REVISED PER ECN 02092.	RMF	12/19/02	DJC
D	REVISED PER ECN 04026.	RMF	2/10/04	DJC



TORQUE		
GEOMETRY	CW TORQUE	CCW TORQUE
ZE 375 ZE 102	20	20
ZE 375 ZE 102	30	30
ZE 375 ZE 102	X	40
ZE 375 ZE102	40	X
ZE 375 ZE 102	40	40
ZE 375 ZE 102	50	50
ZE 375 ZE 102		
ZE 375 ZE 102		

CUSTOM TORQUE CONFIGURATIONS AVAILABLE FOR QUOTE:
www.torqmaster.com
 1-888-41-HINGE

USED ON	SOLID	REV	TOLERANCES	DRAWN BY	DATE	ENGLISH	TorqMaster, Inc. Stamford, CT USA		
STANDARD	102	B	ENGLISH	RMF	8/31/00				
NEXT ASSY	NONE		.XX ±.015 IN .XXX ±.005 IN .XXXX ±.0002 IN	CHECKED BY	DATE	MATERIAL	N/A		
QUANTITY				DJC	5/1/01	TITLE			
PER ASSY, pcs		-				HINGE INTERFACE			
TOTAL, pcs		-				SIZE	ZE 375 ZE 102		
THIS INFORMATION IS PROPRIETARY TO TORQMASTER, INTL. THE POSSESSOR AGREES TO MAINTAIN IT IN CONFIDENCE, NOT REPRODUCING OR REVEALING IT IN WHOLE OR IN PART.						SCALE	1:2	SHEET	1 OF 1
						REV	D		