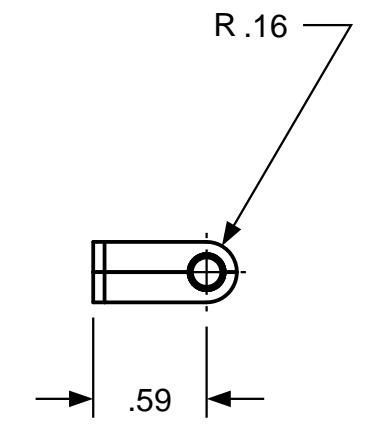
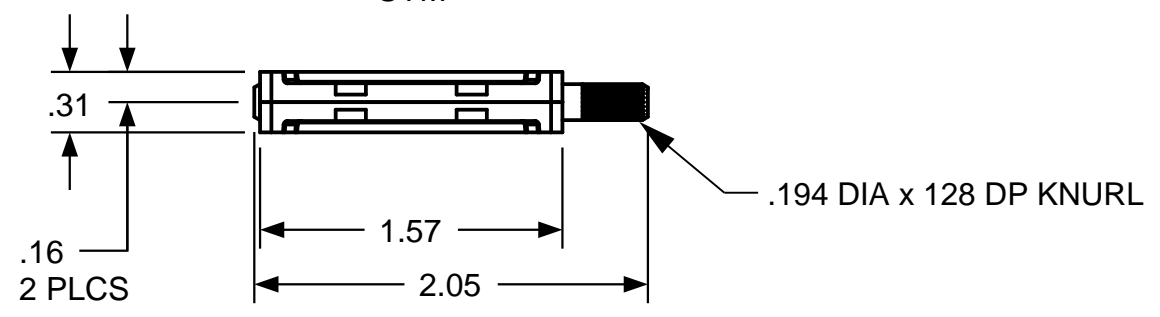
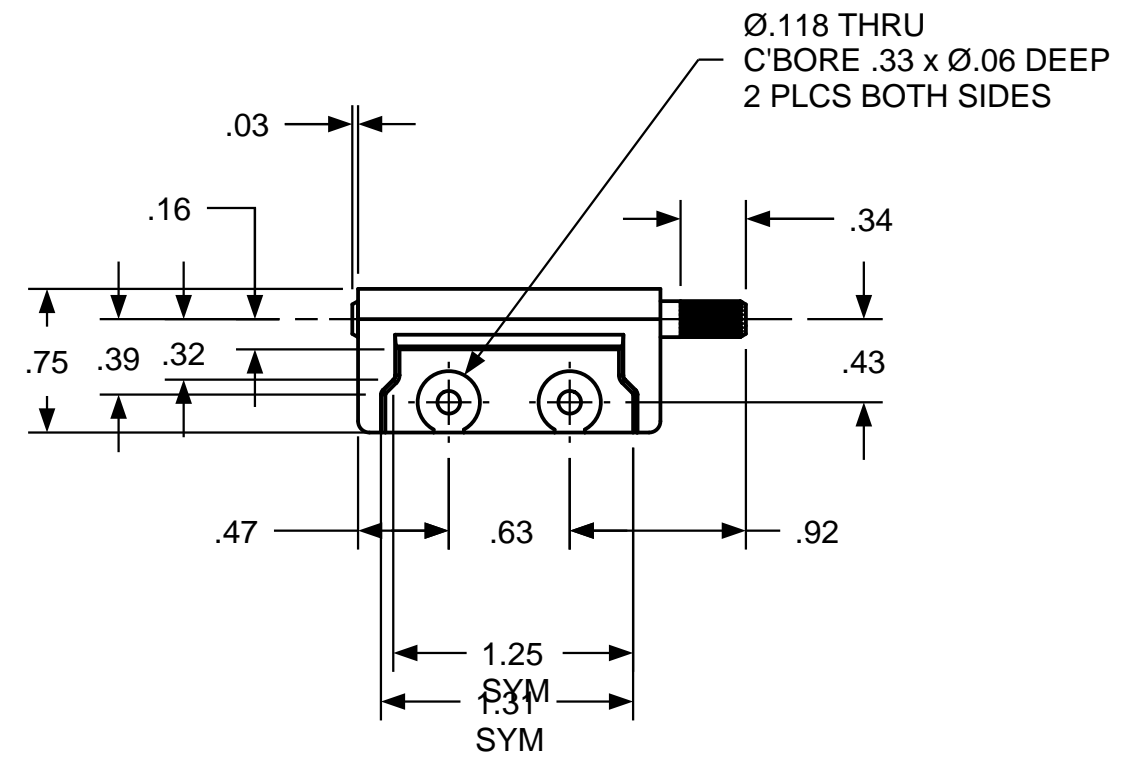
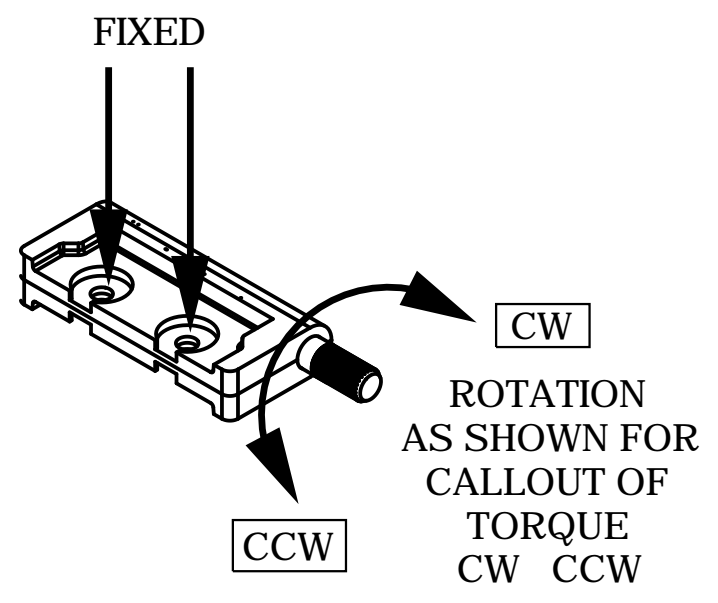


REVISION RECORD				
SYM	DESCRIPTION	BY	DATE	APPD
C	REVISED PER ECN 02043.	RMF	6/7/02	DJC
D	REVISED PER ECN 04017.	RMF	2/5/04	DJC



TORQUE		
GEOMETRY	CW TORQUE	CCW TORQUE
ZC 188 KN 101	7	7
ZC 188 KN 101		
ZC 188 KN 101		
ZC 188 KN 101		

CUSTOM TORQUE CONFIGURATIONS AVAILABLE FOR QUOTE:
www.torqmaster.com
 1-888-41-HINGE

USED ON	SOLID	REV	TOLERANCES	DRAWN BY	DATE	ENGLISH	TorqMaster, Inc. Stamford, CT USA				
STANDARD	101	B	ENGLISH	RMF	8/17/00						
NEXT ASSY	N/A		.XX ±.015 IN .XXX ±.005 IN	CHECKED BY	DATE	MATERIAL	N/A				
QUANTITY				DJC	8/17/00	TITLE	HINGE INTERFACE				
PER ASSY, PCS		-				SIZE	ZC 188 KN 101	REV			
TOTAL, PCS		-				B		D			
THIS INFORMATION IS PROPRIETARY TO TORQMASTER, INTL. THE POSSESSOR AGREES TO MAINTAIN IT IN CONFIDENCE, NOT REPRODUCING OR REVEALING IT IN WHOLE OR IN PART.						SCALE	1:1	SHEET	1	OF	1