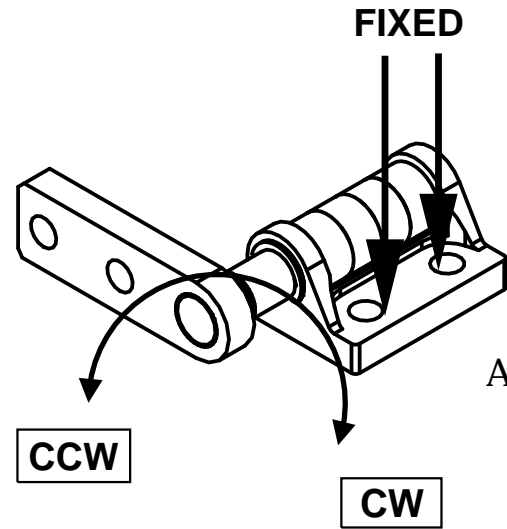


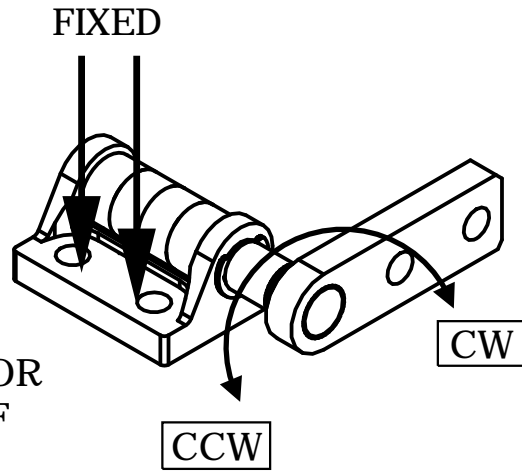
REVISION RECORD

SYM	DESCRIPTION	BY	DATE	APPD
A	RELEASED FOR MFG	RA	4/10	RA
B	TOP VIEW: .13 [3.2] WAS .08 [2.0]	RA	3/29/19	RA

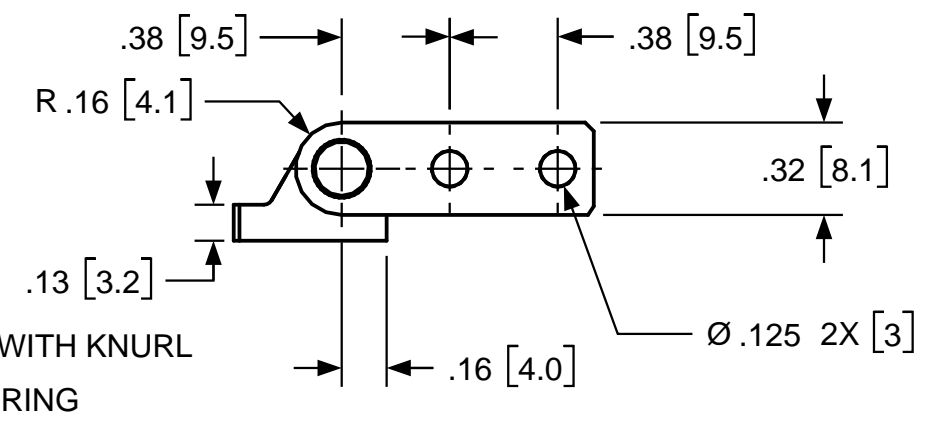
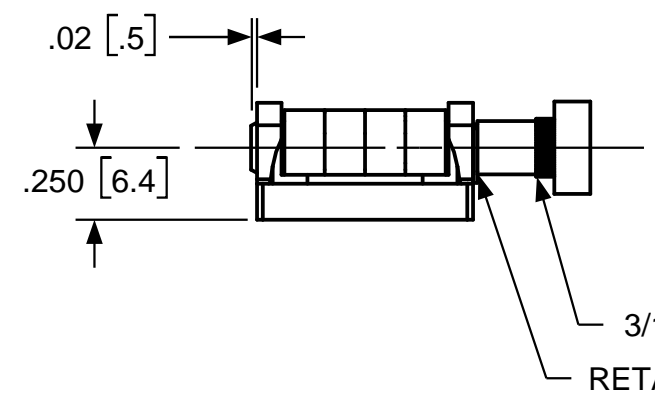
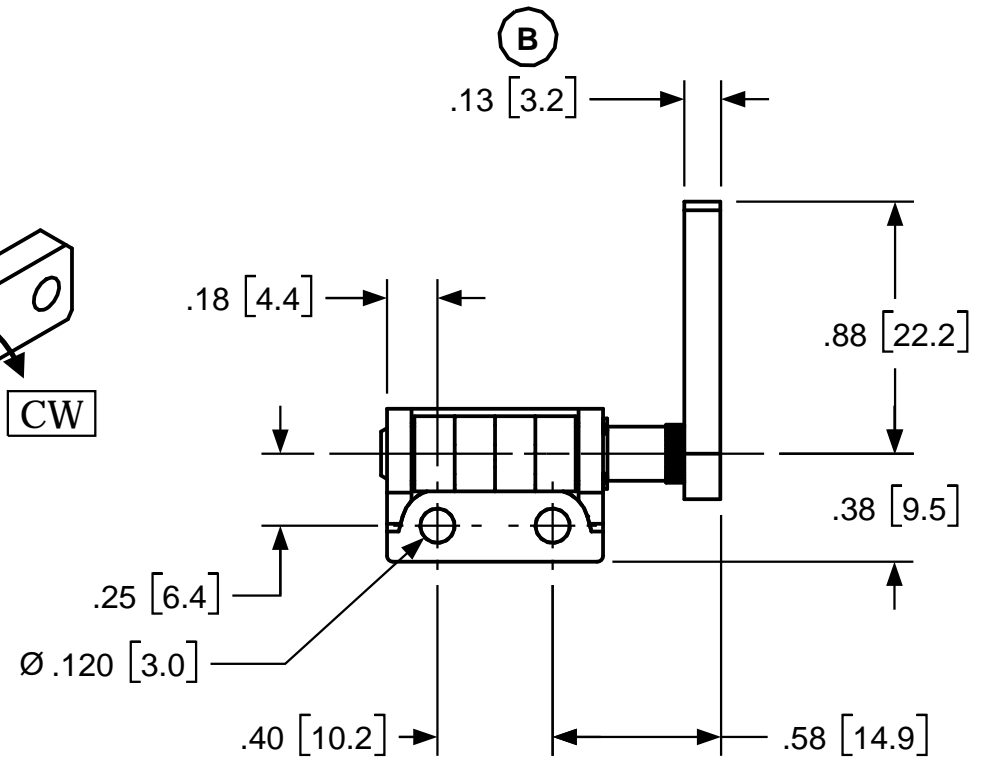
LEFT HAND



RIGHT HAND



ROTATION AS SHOWN FOR CALLOUT OF TORQUE



TORQUE

GEOMETRY	CW TORQUE	CCW TORQUE	HAND
ZE 188 SA 102	5	5	L
ZE 188 SA 102	5	5	R
ZE 188 SA 102	8	8	L
ZE 188 SA 102	8	8	R

CUSTOM TORQUE CONFIGURATIONS AVAILABLE. FOR QUOTE: www.torqmaster.com 1-888-41-HINGE

USED ON	SOLID	REV	TOLERANCES	DRAWN BY	DATE	ENGLISH / METRIC <i>TorqMaster, Inc.</i> Stamford, CT USA	
STANDARD	102	B	ENGLISH / METRIC	RA	4/10	MATERIAL N/A	
NEXT ASSY	N/A		.XX ±.015 IN .XXX ±.005 IN	CHECKED BY	DATE	TITLE HINGE INTERFACE	
QUANTITY			.X ±4MM .XX ±.13MM .XXX ±.05MM			SIZE B	REV B
PER ASSY, PCS	-					SCALE NTS SHEET 1 OF 1	
TOTAL, PCS	-					TITLE ZE 188 SA 102	
THIS INFORMATION IS PROPRIETARY TO TORQMASTER, INTL. THE POSSESSOR AGREES TO MAINTAIN IT IN CONFIDENCE, NOT REPRODUCING OR REVEALING IT IN WHOLE OR IN PART.							