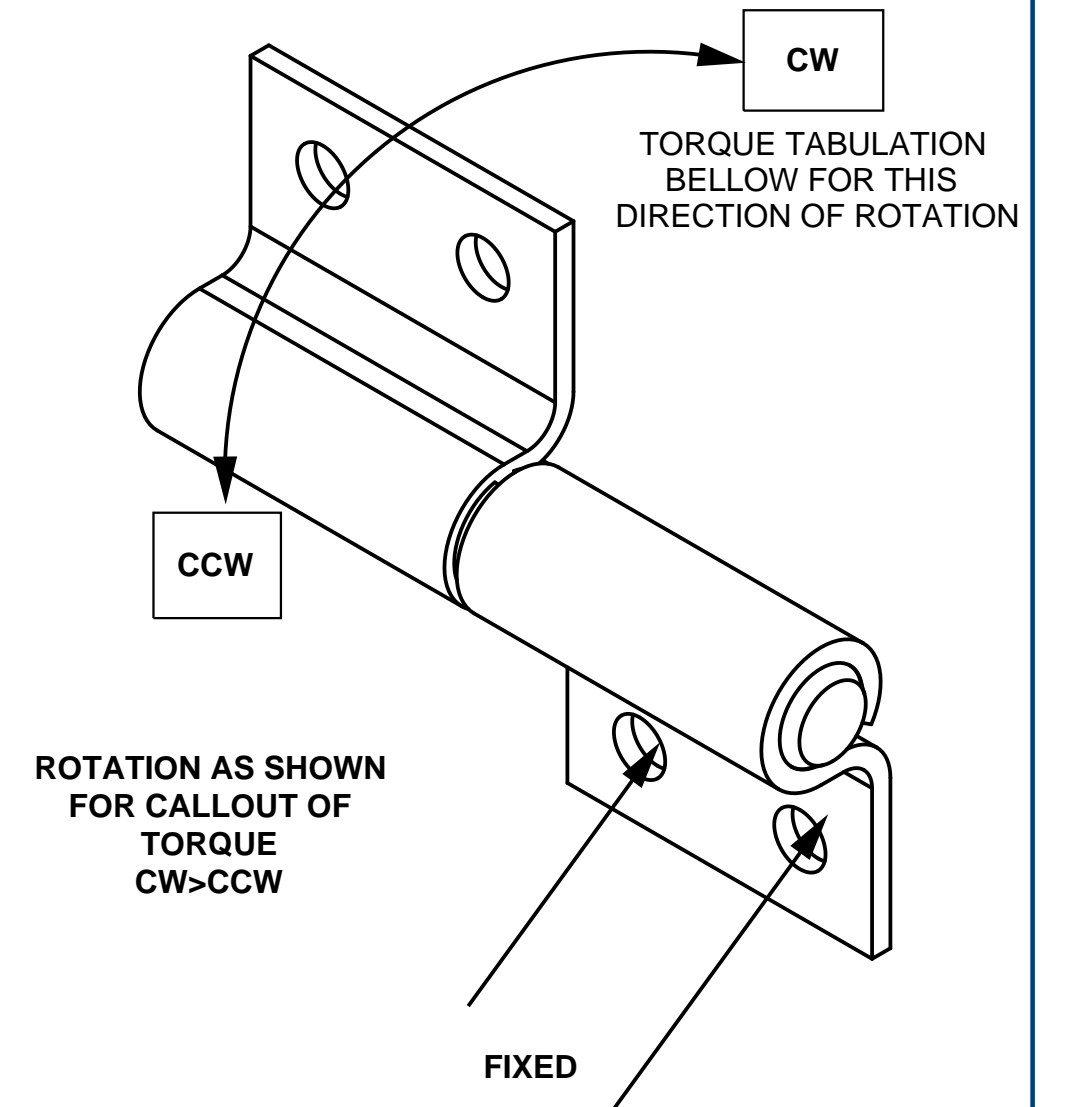
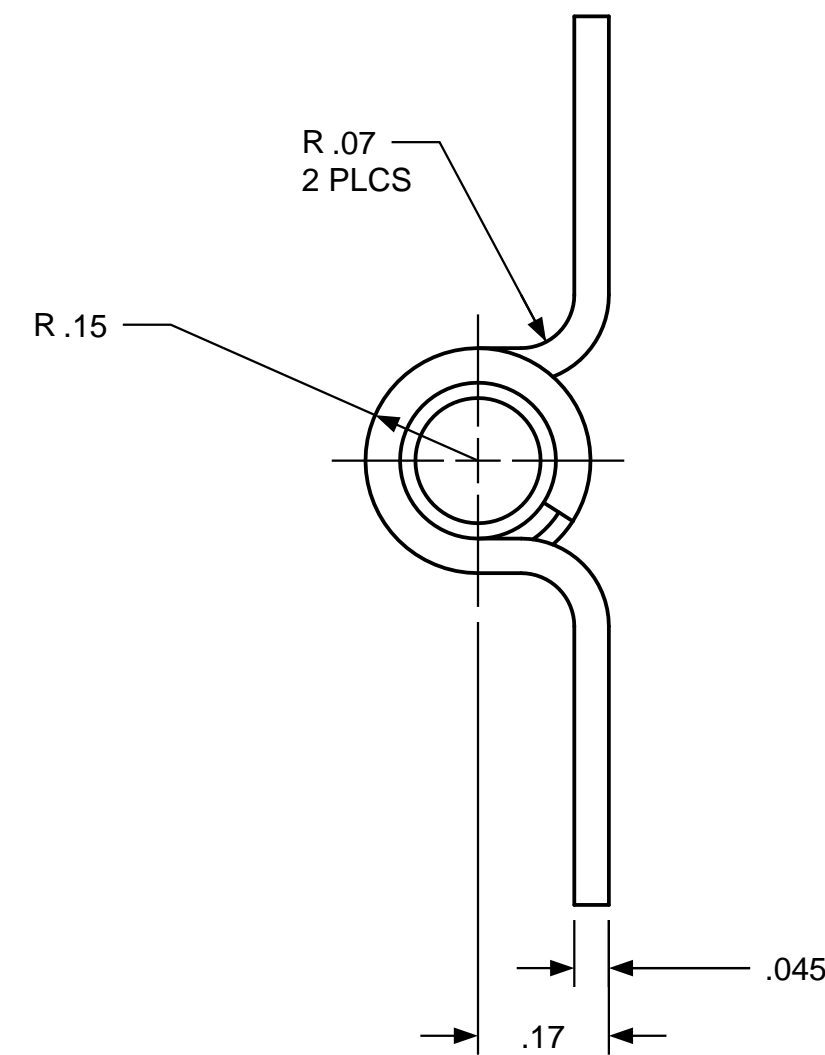
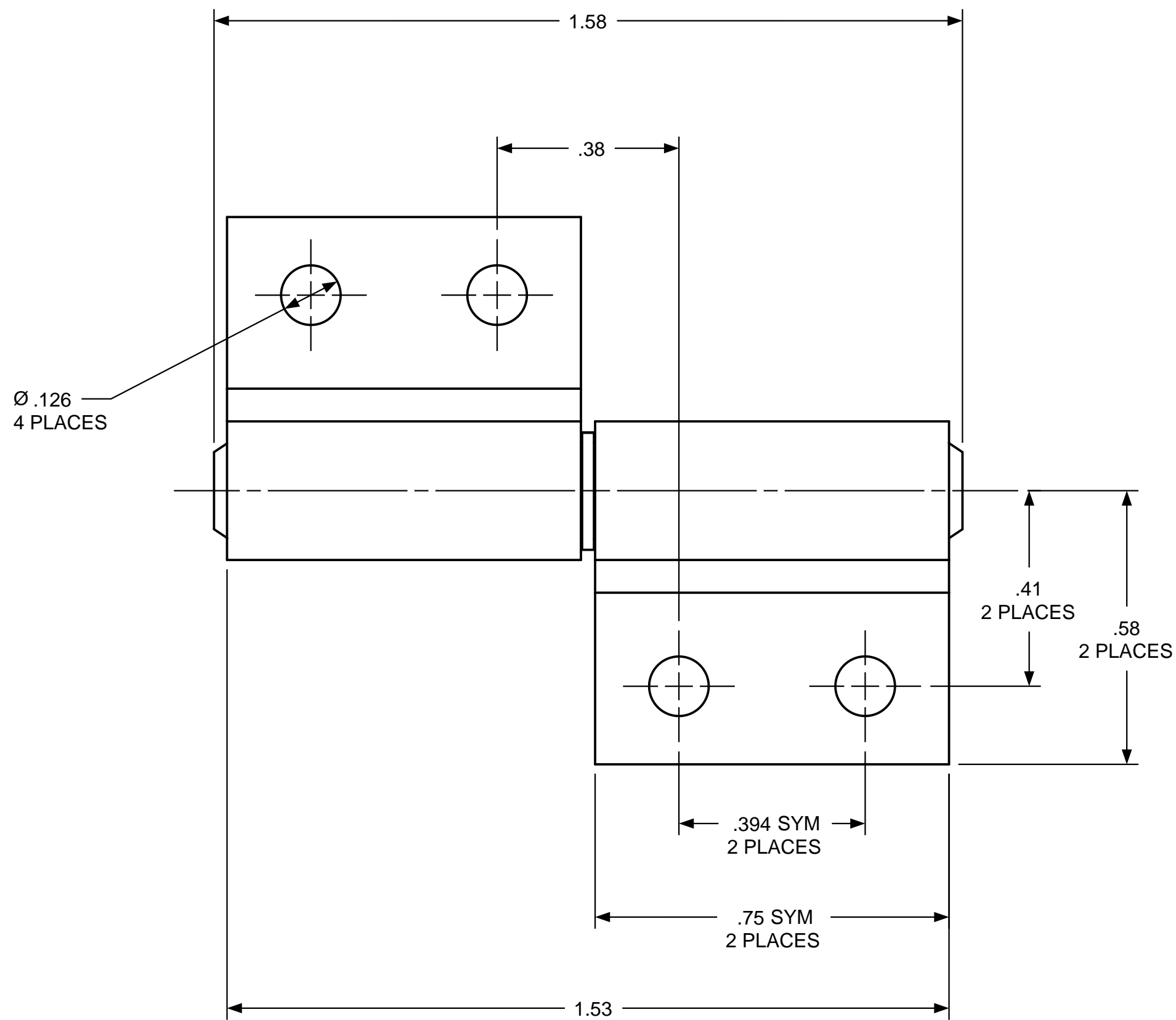


REVISION RECORD				
SYM	DESCRIPTION	BY	DATE	APPD
A	RELEASED FOR MFG.	VC	7/15/13	RA
B	ADDED STD TORQUE CALLOUT	RA	12/28/17	RA

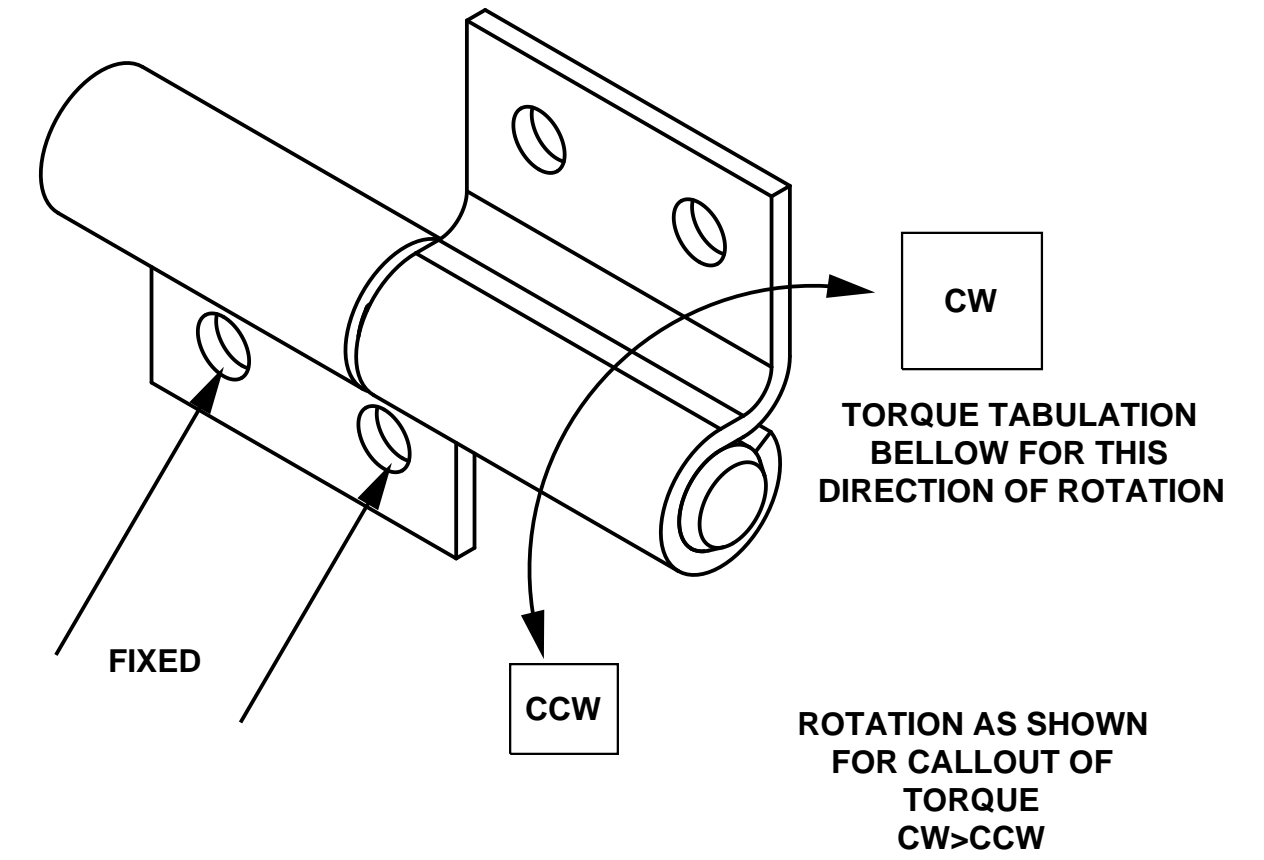
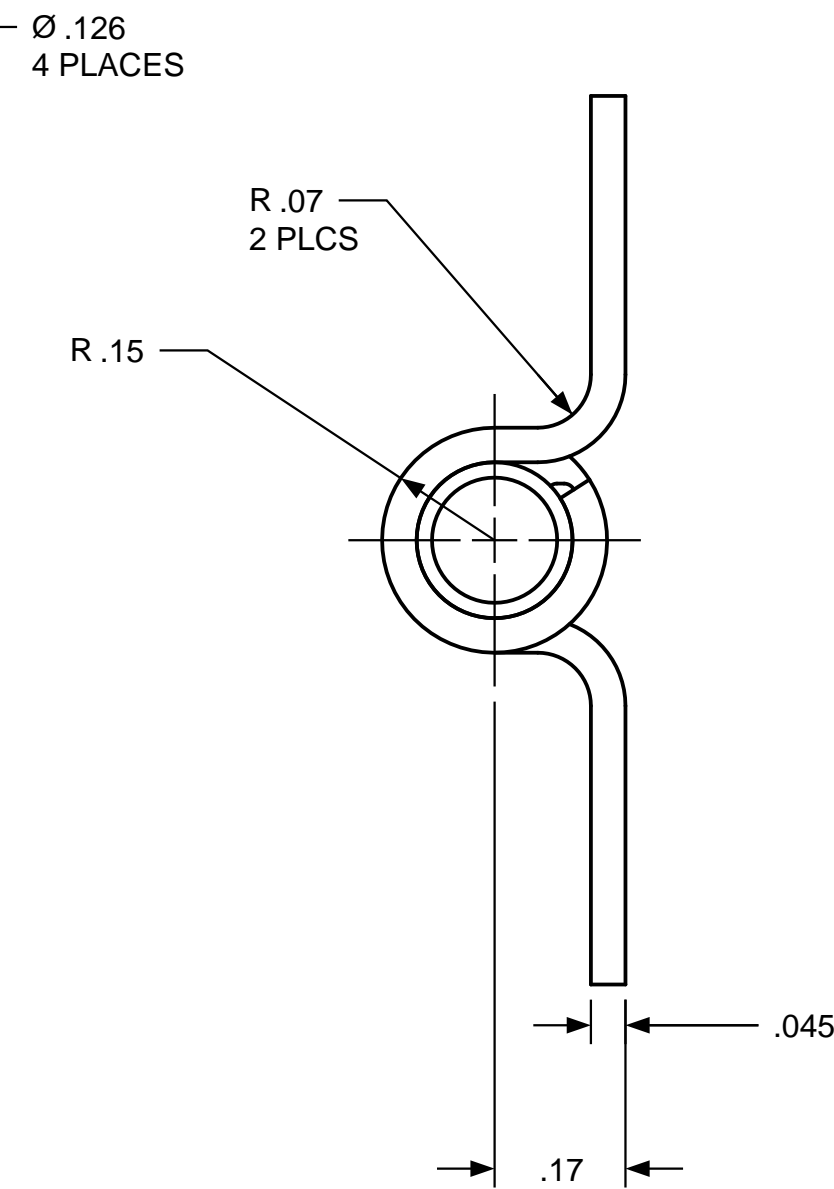
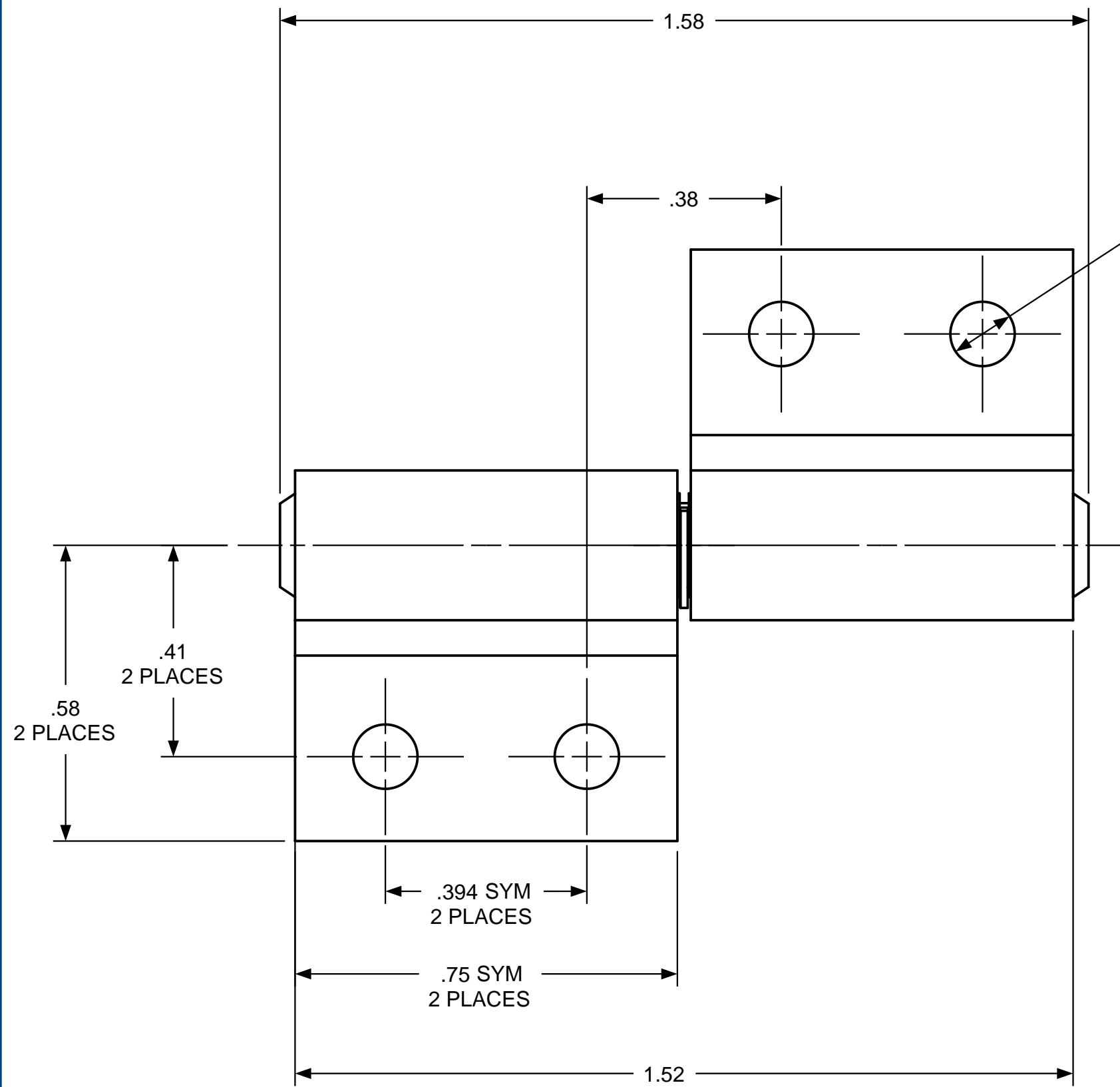


TORQUE CALLOUT
-1- CW 3.0 - 6.0 lb. in
-2- CW 6.0 - 9.0 lb. in
-3- CW 9.0 - 13.0 lb. in
-4- CW 13.0 - 17.0 lb. in
-5- CW 17.0 - 20.0 lb. in

TORQUE CALLOUT TO FOLLOW MAIN PART #
EXP: SB 200 SB 101 - 3 (TORQUE CW AS SHOWN 9.0-13.0 IN LB.)

USED ON	SOLID	REV	TOLERANCES		ENGLISH / METRIC		TORQMASTER INTERNATIONAL		200 HARVARD AVE STAMFORD, CT USA	
STANDARD	101		ENGLISH	METRIC						
NEXT ASSY	N/A		.XX ±.015 IN .XXX ±.005 IN .XXXX ±.0002 IN	.X ±.3 MM .XX ±.13 MM .XXX ±.05 MM	DRAWN BY	DATE	MATERIAL	N/A		
QUANTITY					RA	4/15/09	TITLE			
PER ASSY, PCS	-		ANGLES ±0.5° SURFACE 63μ		CHECKED BY	DATE	HINGE INTERFACE			
TOTAL, PCS	-				VC	4/15/13	SIZE	SB 200 SB 101		REV
THIS INFORMATION IS PROPRIETARY TO TORQMASTER, INTL. THE POSSESSOR AGREES TO MAINTAIN IT IN CONFIDENCE, NOT REPRODUCING OR REVEALING IT IN WHOLE OR IN PART.							C			B
							SCALE	1:1		SHEET 1 OF 1

REVISION RECORD				
SYM	DESCRIPTION	BY	DATE	APPD
A	RELEASED FOR MFG.	VC	7/15/13	RA
B	ADDED STD TORQUE CALLOUT	RA	12/28/17	RA



TORQUE CALLOUT
<u>-1-</u> CW 3.0 - 6.0 lb. in
<u>-2-</u> CW 6.0 - 9.0 lb. in
<u>-3-</u> CW 9.0 - 13.0 lb. in
<u>-4-</u> CW 13.0 - 17.0 lb. in
<u>-5-</u> CW 17.0 - 20.0 lb. in

(B)

TORQUE CALLOUT TO FOLLOW MAIN PART #
EXP: SB 200 SB 102 - 3 (TORQUE CW AS SHOWN 9.0-13.0 IN LB.)

USED ON	SOLID	REV	TOLERANCES		ENGLISH / METRIC		TORQMASTER INTERNATIONAL		200 HARVARD AVE STAMFORD, CT USA	
STANDARD	102		ENGLISH	METRIC						
NEXT ASSY	N/A		.XX ±.015 IN .XXX ±.005 IN .XXXX ±.0002 IN	.X ±.3 MM .XX ±.13 MM .XXX ±.05 MM	DRAWN BY	DATE	MATERIAL	N/A		
QUANTITY					RA	4/15/09	TITLE			
PER ASSY, PCS	-		ANGLES ±0.5° SURFACE 63μ		CHECKED BY	DATE	HINGE INTERFACE			
TOTAL, PCS	-				VC	7/15/13	SIZE	SB 200 SB 102		REV
THIS INFORMATION IS PROPRIETARY TO TORQMASTER, INTL. THE POSSESSOR AGREES TO MAINTAIN IT IN CONFIDENCE, NOT REPRODUCING OR REVEALING IT IN WHOLE OR IN PART.							C			B
					SCALE		1:1		SHEET 1 OF 1	