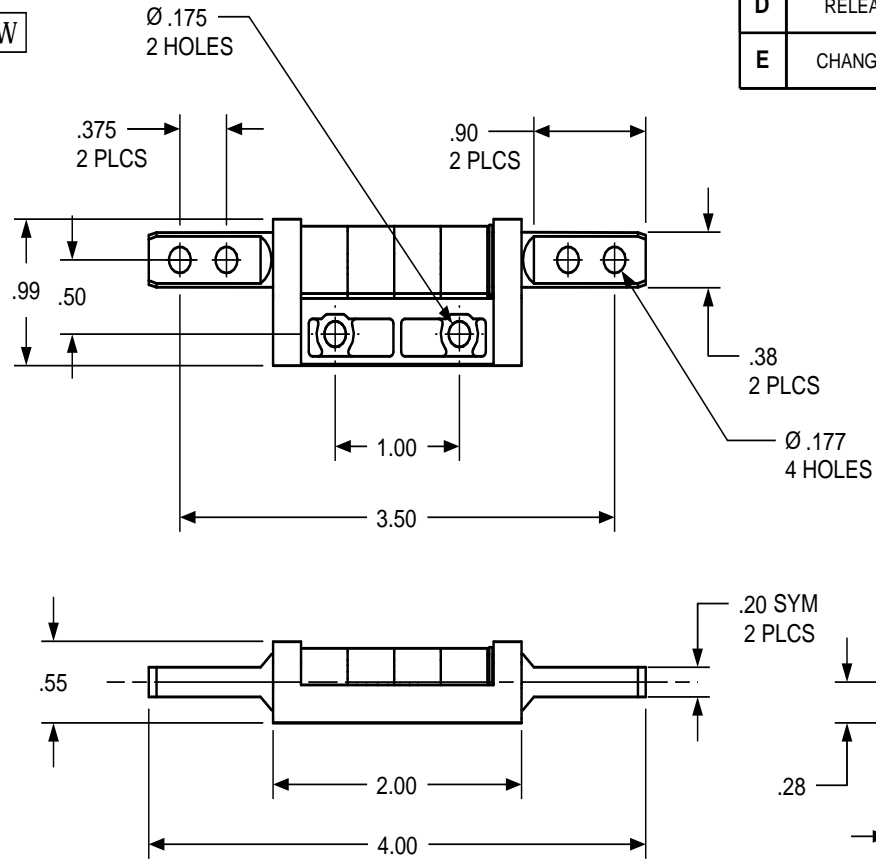
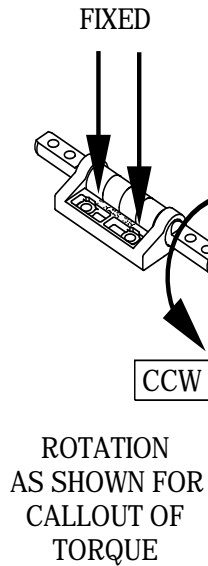


TORQUE		
GEOMETRY	CW	CCW
ZE 375 CF 151	10	10
ZE 375 CF 151	15	15
ZE 375 CF 151	20	20
ZE 375 CF 151	20	X
ZE 375 CF 151	X	20
ZE 375 CF 151	25	25
ZE 375 CF 151	30	30
ZE 375 CF 151	30	X
ZE 375 CF 151	X	30
ZE 375 CF 151	X	35
ZE 375 CF 151	40	40
ZE 375 CF 151	40	X
ZE 375 CF 151	X	40
ZE 375 CF 151	45	X
ZE 375 CF 151	X	45
ZE 375 CF 151	60	X
ZE 375 CF 151	x	60



REVISION RECORD				
SYM	DESCRIPTION	BY	DATE	APPD
C	REDRAWN ON NEW FORMAT, NO CHANGES.	RMF	8/30/00	DJC
D	RELEASED PER ECN # 07041	WB	17AUG07	ER
E	CHANGE TO MACHINED SHAFT	VC	4/17/12	RA

CUSTOM TORQUE CONFIGURATIONS AVAILABLE.
FOR QUOTE:
www.torqmaster.com
1-888-41-HINGE

USED ON	SOLID	REV	TOLERANCES	DRAWN BY	DATE	TorqMaster, Inc. Stamford, CT USA	
STANDARD	151	D	ENGLISH	RA	5/9/97	ENGLISH	
NEXT ASSY	NONE		.XX ±.015 in .XXX ±.005 in .XXXX ±.0002 in	CHECKED BY	DATE	MATERIAL	N/A
QUANTITY				DJC	5/9/97	TITLE HINGE INTERFACE	
PER ASSY, pcs	-					SIZE B	ZE 375 CF 151
TOTAL, pcs	-					SCALE 1:2	REV E
THIS INFORMATION IS PROPRIETARY TO TORQMASTER, INC. THE POSSESSOR AGREES TO MAINTAIN IT IN CONFIDENCE, NOT REPRODUCING OR REVEALING IT IN WHOLE OR IN PART.						SHEET 1 OF 1	