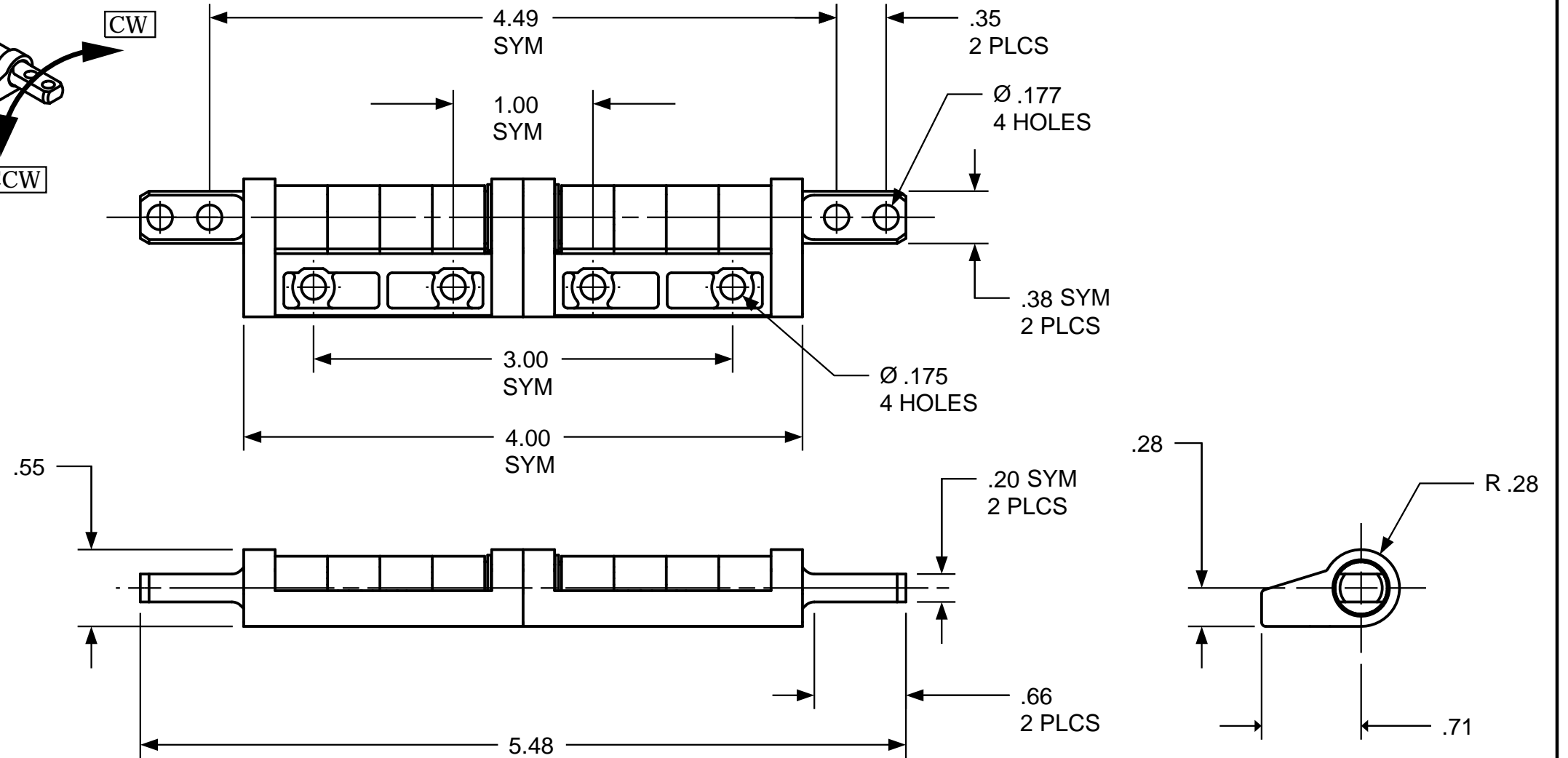
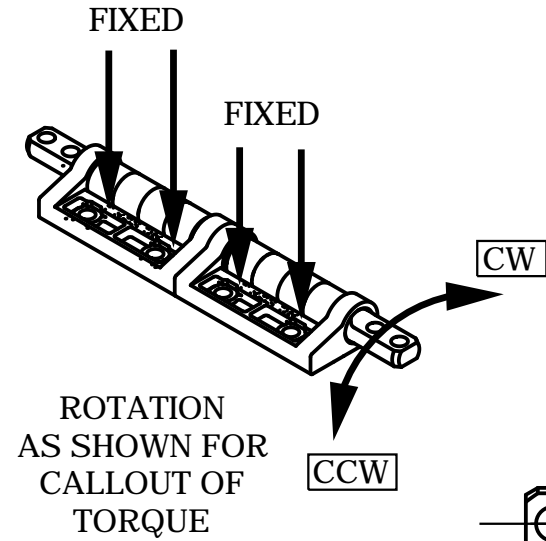


# TORQUE

GEOMETRY	CW TORQUE	CCW TORQUE
<b>ZE 375 CF 251</b>	<b>40</b>	<b>40</b>
<b>ZE 375 CF 251</b>	<b>45</b>	<b>X</b>
<b>ZE 375 CF 251</b>	<b>50</b>	<b>X</b>
<b>ZE 375 CF 251</b>	<b>60</b>	<b>60</b>
<b>ZE 375 CF 251</b>	<b>60</b>	<b>X</b>
<b>ZE 375 CF 251</b>	<b>80</b>	<b>80</b>
<b>ZE 375 CF 251</b>	<b>80</b>	<b>X</b>
<b>ZE 375 CF 251</b>	<b>X</b>	<b>80</b>
<b>ZE 375 CF 251</b>	<b>120</b>	<b>120</b>
<b>ZE 375 CF 251</b>	<b>120</b>	<b>X</b>
<b>ZE 375 CF 251</b>	<b>X</b>	<b>120</b>

CUSTOM TORQUE CONFIGURATIONS AVAILABLE.  
FOR QUOTE:  
www.torqmaster.com  
1-888-41-HINGE



## REVISION RECORD

SYM	DESCRIPTION	BY	DATE	APPD
<b>B</b>	REDRAWN ON NEW FORMAT, NO CHANGES.	RMF	8/31/00	DJC
<b>C</b>	UPDATED HOUSING AND DIMENSIONS	VC	10/14/10	VC

USED ON	SOLID	REV	TOLERANCES	DRAWN BY	DATE	<b>ENGLISH</b>		<b>TorqMaster, Inc.</b> Stamford, CT USA	
STANDARD	251	0.0	ENGLISH	RA	5/9/97	MATERIAL		N/A	
NEXT ASSY	NONE		.XX ±.015 in .XXX ±.005 in .XXXX ±.0002 in	CHECKED BY	DATE	TITLE			
QUANTITY				DJC	5/9/97	HINGE INTERFACE			
PER ASSY, pcs			-			SIZE		REV	
TOTAL, pcs			-			<b>B</b>		<b>C</b>	
THIS INFORMATION IS PROPRIETARY TO TORQMASTER, INTL. THE POSSESSOR AGREES TO MAINTAIN IT IN CONFIDENCE, NOT REPRODUCING OR REVEALING IT IN WHOLE OR IN PART.						<b>ZE 375 CF 251</b>			
SCALE		NTS		SHEET		1		OF 1	