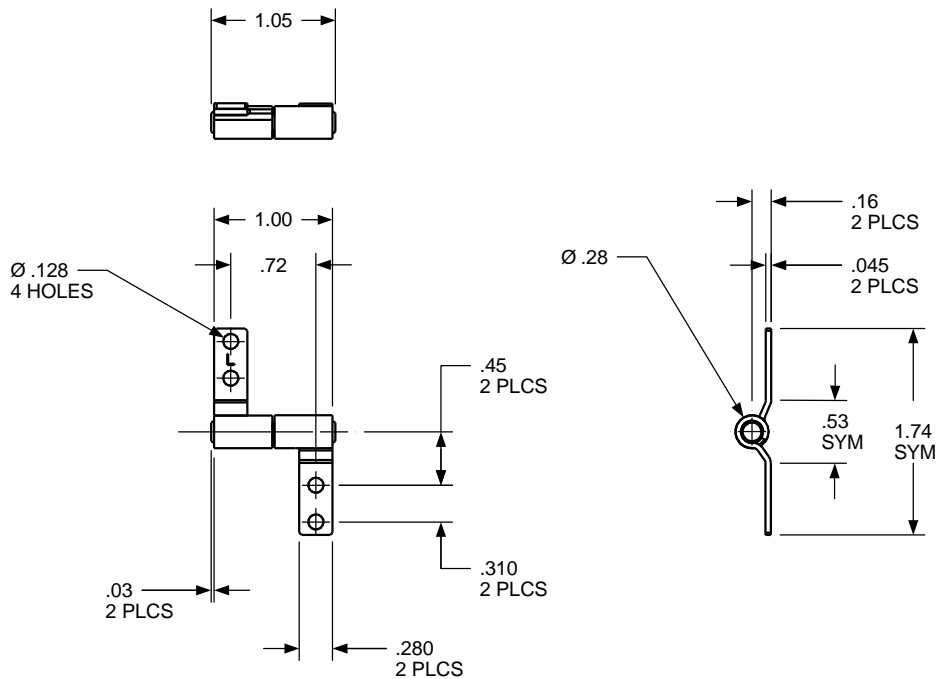
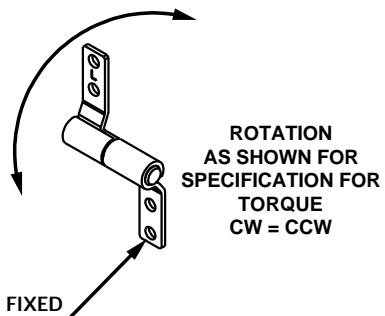


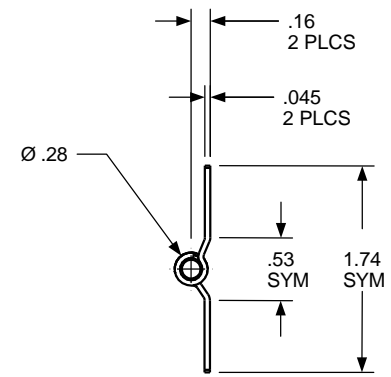
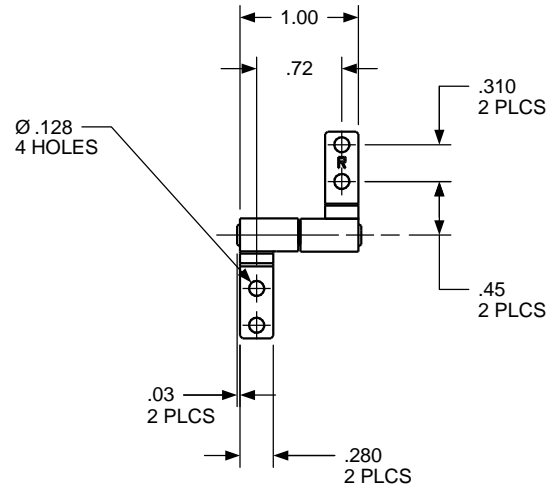
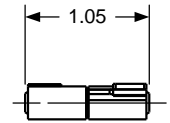
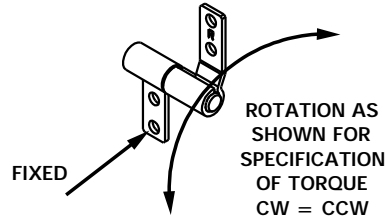
REVISION RECORD				
SYM	DESCRIPTION	BY	DATE	APPROVED
A	RELEASED FOR SALES ONLY.	RMF	9/11/00	YK



TORQUE
LOW CW 2.5 - 4.5
MEDIUM CW 4.5 - 6.0 lb. in
HIGH CW 6.0 - 7.5 lb. in

USED ON	SOLID	REV	TOLERANCES	DESIGNED BY	DATE	ENGLISH		TorqMaster, Inc. Stamford, CT USA				
STANDARD	103	0.0	ENGLISH	RA	5/9/97	MATERIAL		N/A				
NEXT ASSY	NONE		.XX ±.015 in	CHECKED BY	DATE	TITLE						
QUANTITY			.XXX ±.005 in	YK	5/9/97	HINGE INTERFACE						
PER ASSY, pcs	-		.XXXX ±.0002 in			SIZE	SB 188 SB 103			REV		
TOTAL, pcs	-				SCALE		1:1	SHEET	1	OF	1	A
THIS INFORMATION IS PROPRIETARY TOTORQMASTER, INC. THE POSSESSOR AGREES TO MAINTAIN IT IN CONFIDENCE . NOT REPRODUCING OR REVEALING IT IN WHOLE OR IN PART.												

REVISION RECORD				
SYM	DESCRIPTION	BY	DATE	APPD
A	RELEASED FOR SALES ONLY.	RMF	4/2/01	YK



TORQUE
<u>LOW</u> CW 2.5 - 4.5 lb. in
<u>MEDIUM</u> CW 4.5 - 6.0 lb. in
<u>HIGH</u> CW 6.0 - 7.5 lb. in

USED ON	SOLID	REV	TOLERANCES	DESIGNED BY	DATE	ENGLISH		TorqMaster, Inc. Stamford, CT USA	
STANDARD	104	0.0	ENGLISH	RMF	4/2/01	MATERIAL		N/A	
NEXT ASSY	NONE		.XX ±.015 in .XXX ±.005 in .XXXX ±.0002 in	CHECKED BY	DATE	TITLE		HINGE INTERFACE	
QUANTITY				DJ	4/2/01	SIZE		SB 188 SB 104	
PER ASSY, pcs	-			C		SCALE		1:1	
TOTAL, pcs	-					SHEET		1 OF 1	
THIS INFORMATION IS PROPRIETARY TO TORQMASTER, INC. THE POSSESSOR AGREES TO MAINTAIN IT IN CONFIDENCE, NOT REPRODUCING OR REVEALING IT IN WHOLE OR IN PART.						REV		A	