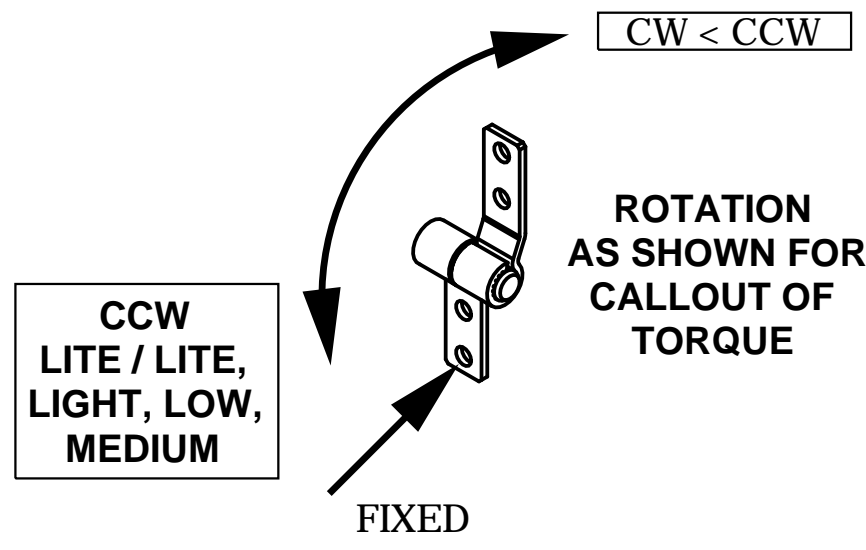
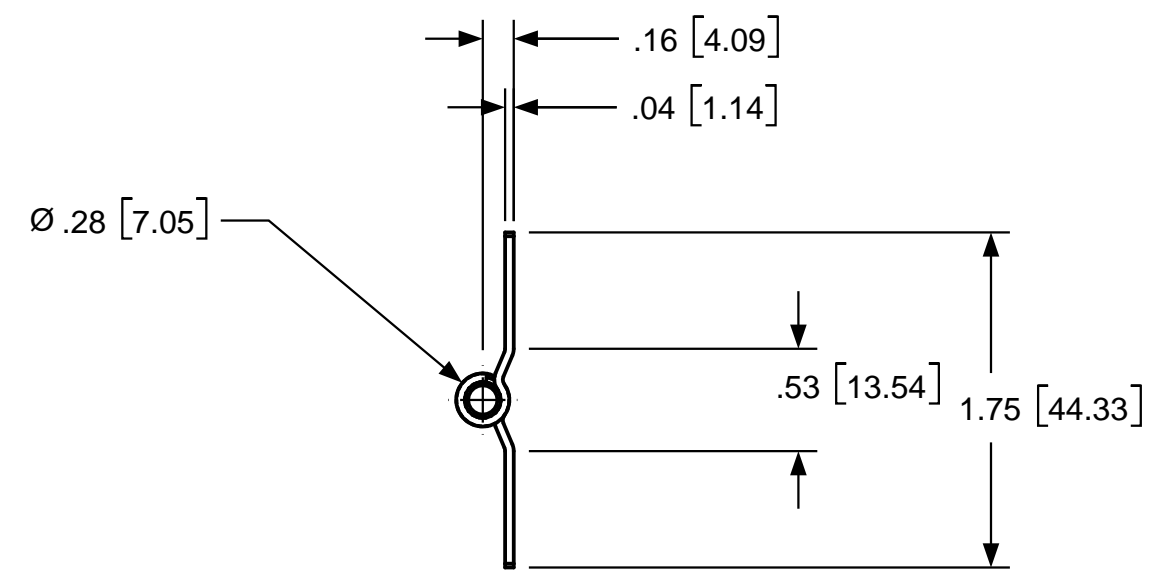
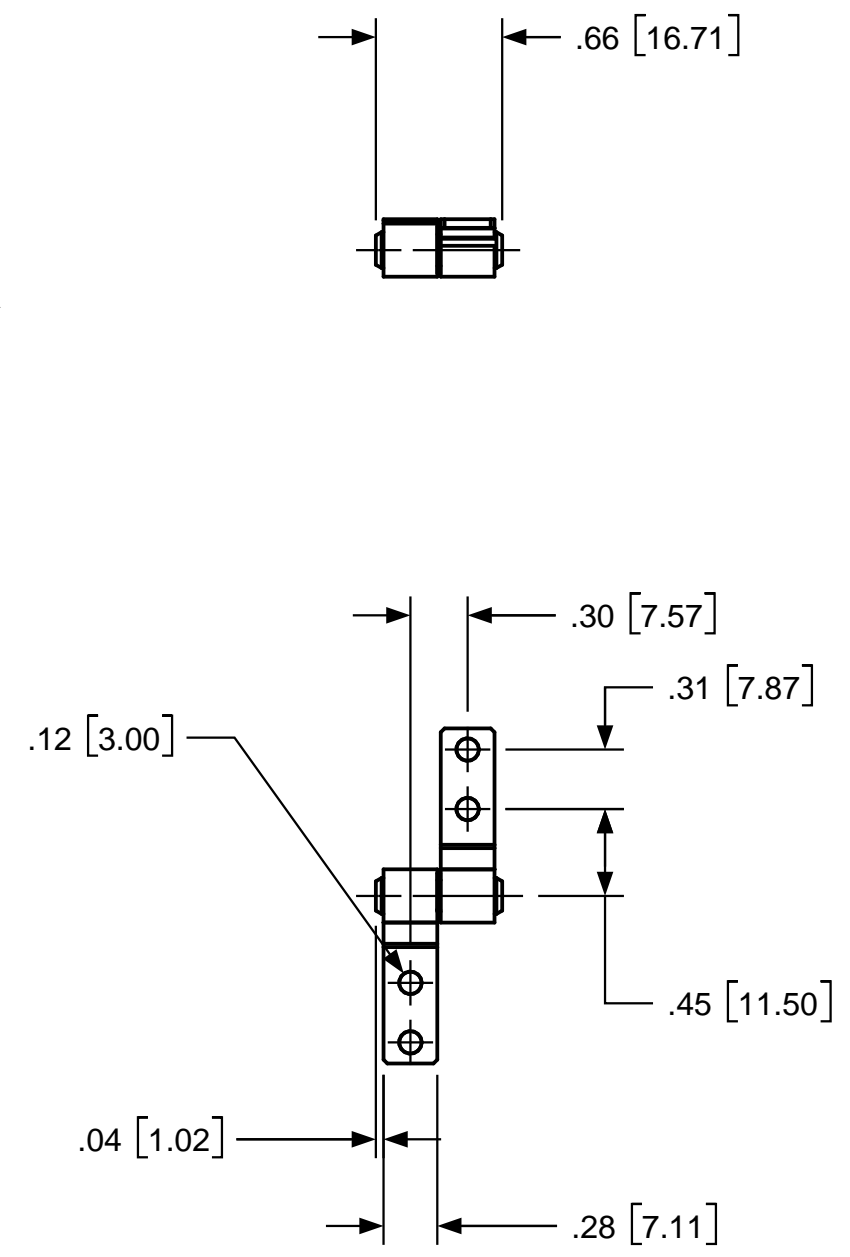


REVISION RECORD				
SYM	DESCRIPTION	BY	DATE	APPD
B	REDRAWN ON NEW FORMAT NO CHANGE.	RMF	4/11/01	DJC
C	REVISED PER ECN 03026.	RMF	4/3/03	DJC
D	REVISED PER 08016	WB	10JUL08	ER



ROTATION AS SHOWN FOR CALLOUT OF TORQUE

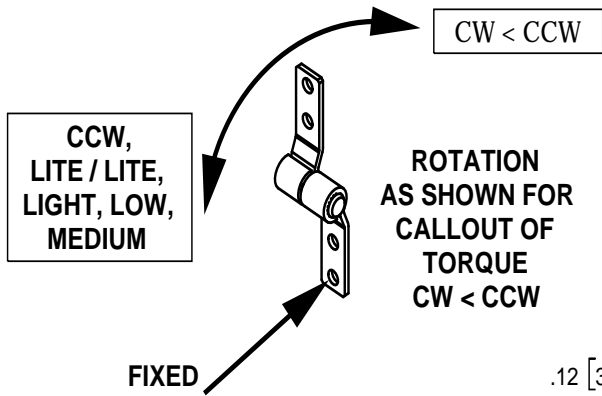


TORQUE
<b>LITE / LITE</b> CCW .5 - 1.5 lb. in.
<b>LIGHT</b> CCW 1.0 - 2.5 lb. in
<b>LOW</b> CCW 2.5 - 4.5 lb in
<b>MEDIUM</b> CCW 4.5 - 6.0 lb. in

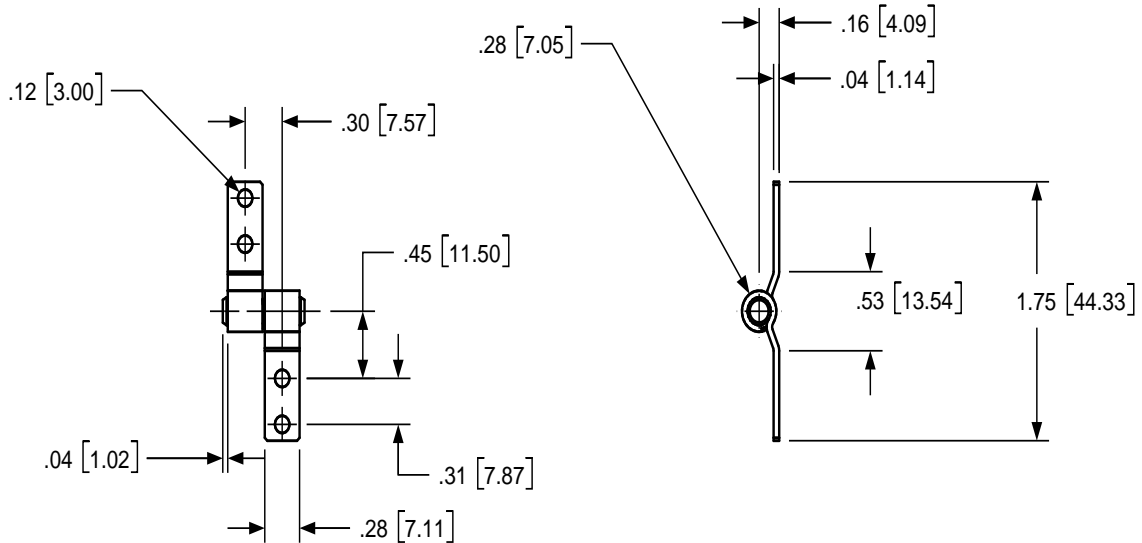
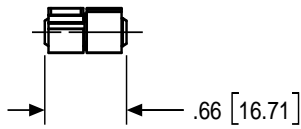
UNITS: INCHES [MILLIMETERS]

USED ON	SOLID	REV	TOLERANCES		DRAWN BY	DATE	ENGLISH		TorqMaster, Inc. Stamford, CT USA	
STANDARD	108	B	ENGLISH		RMF	12/12/00	MATERIAL		N/A	
NEXT ASSY	N/A		.XX ±.015 IN		CHECKED BY	DATE	TITLE			
QUANTITY			.XXX ±.005 IN		DJC	2/9/01	HINGE INTERFACE			
PER ASSY, PCS	-		.XXXX ±.0002 IN				SIZE	SB 188 SB 108		REV
TOTAL, PCS	-		ANGLES ±0.5°				B			D
THIS INFORMATION IS PROPRIETARY TO TORQMASTER, INTL. THE POSSESSOR AGREES TO MAINTAIN IT IN CONFIDENCE, NOT REPRODUCING OR REVEALING IT IN WHOLE OR IN PART.							SCALE	1:1	SHEET	1 OF 1

REVISION RECORD				
SYM	DESCRIPTION	BY	DATE	APPD
C	REVISED PER ECN 02036.	RMF	6/6/02	DJC
D	REVISED PER ECN 03026.	RMF	4/3/03	DJC
E	REVISED PER ECN 08016	WB	10JUL08	ER



ROTATION  
AS SHOWN FOR  
CALLOUT OF  
TORQUE  
CW < CCW



TORQUE
<b>LITE / LITE</b> CCW .5 - 1.5 lb. in.
<b>LIGHT</b> CCW 1.0 - 2.5 lb. in.
<b>LOW</b> CCW 2.5 - 4.5 lb. in.
<b>MEDIUM</b> CCW 4.5 - 6.0 lb. in.

UNITS: INCHES[MILLIMETERS]

USED ON	SOLID	REV	TOLERANCES	DRAWN BY	DATE	TorqMaster, Inc. Stamford, CT USA		
STANDARD	109	B	ENGLISH	RMF	12/11/00	ENGLISH		
NEXT ASSY	N/A		.XX ±.015 IN .XXX ±.005 IN	CHECKED BY	DATE	MATERIAL	N/A	
QUANTITY				DJC	2/9/01	TITLE HINGE INTERFACE		
PER ASSY, PCS	-							
TOTAL, PCS	-							
THIS INFORMATION IS PROPRIETARY TO TORQMASTER, INTL. THE POSSESSOR AGREES TO MAINTAIN IT IN CONFIDENCE, NOT REPRODUCING OR REVEALING IT IN WHOLE OR IN PART.						SIZE B	SB 188 SB 109	REV E
SCALE 1:1			SHEET 1 OF 1					