

ROTATION
AS SHOWN FOR
CALLOUT OF
TORQUE

CW

CCW

FIXED

TORQUE ONLY IN ONE DIRECTION
CHOOSE (CW OR CCW)
OPPOSITE = "ONE WAY" SLIP CLUTCH

CW AVAILABLE TORQUE (10 - 40) INCH POUNDS
CCW AVAILABLE TORQUE (15 - 65) INCH POUNDS

FREE DIRECTION-SLIP CLUTCH TORQUE APPROX. 90% LESS

P/N EXAMPLES:

SB 500 CS 101 - **CCW** = 50

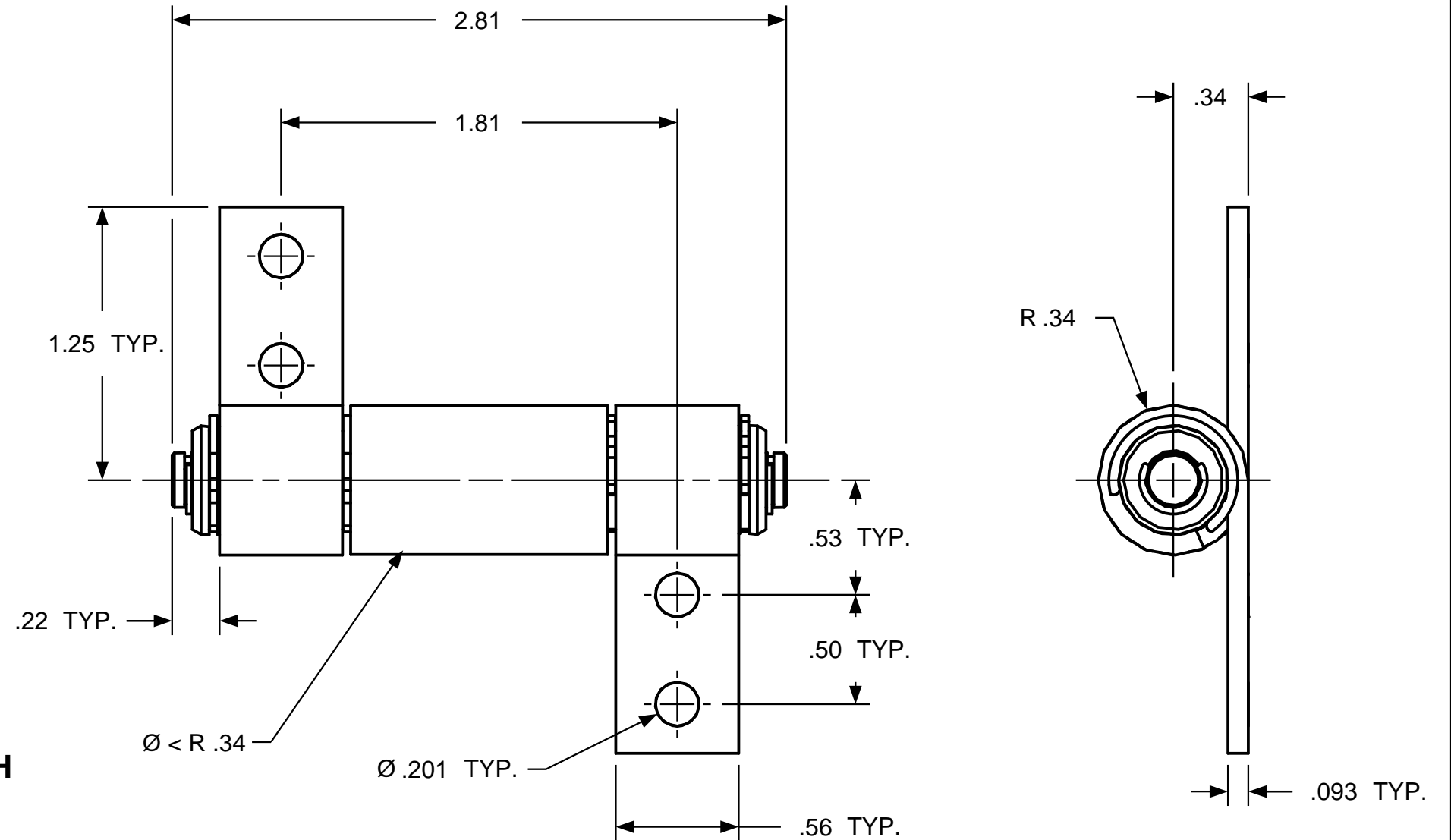
CCW = 50 IN-LBs (CW APPROX 5 IN-LBs)

SB 500 CS 101 - **CW** = 30

CW = 30 IN-LBs (CCW IS APPROX 3 IN-LBs)

REVISION RECORD

SYM	DESCRIPTION	BY	DATE	APPD
A	RELEASED FOR MFG.	RA	1/21/20	RA



USED ON	SOLID	REV	TOLERANCES		ENGLISH / METRIC		TORQ MASTER INTERNATIONAL		200 HARVARD AVE STAMFORD, CT USA		
STD SB500 CS	101	A	ENGLISH	METRIC							
NEXT ASSY	N/A		.XX ±.015 IN	.X ±.4 MM	DRAWN BY	DATE	MATERIAL N/A				
QUANTITY			.XXX ±.005 IN	.XX ±.13 MM	RA	1/21/20	TITLE HINGE, INTERFACE				
PER ASSY, PCS			.XXXX ±.0002 IN	.XXX ±.05 MM	CHECKED BY	DATE	SIZE B		REV A		
TOTAL, PCS						RA	1/21/20	SCALE NTS		SHEET 1 OF 1	
THIS INFORMATION IS PROPRIETARY TOTORQMASTER, INTL. THE POSSESSOR AGREES TO MAINTAIN IT IN CONFIDENCE, NOT REPRODUCING OR REVEALING IT IN WHOLE OR IN PART.											