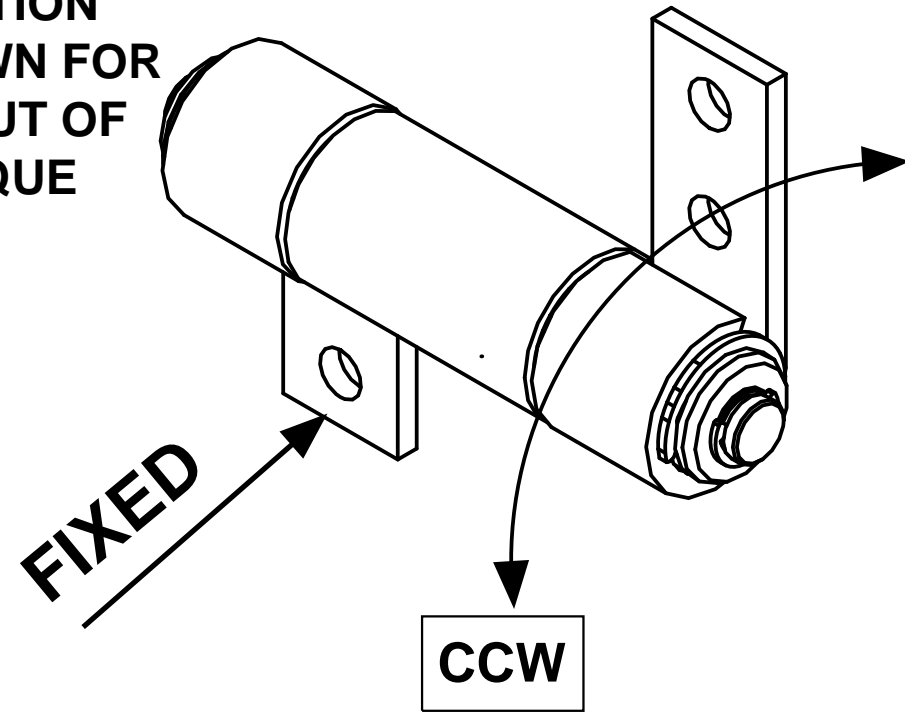
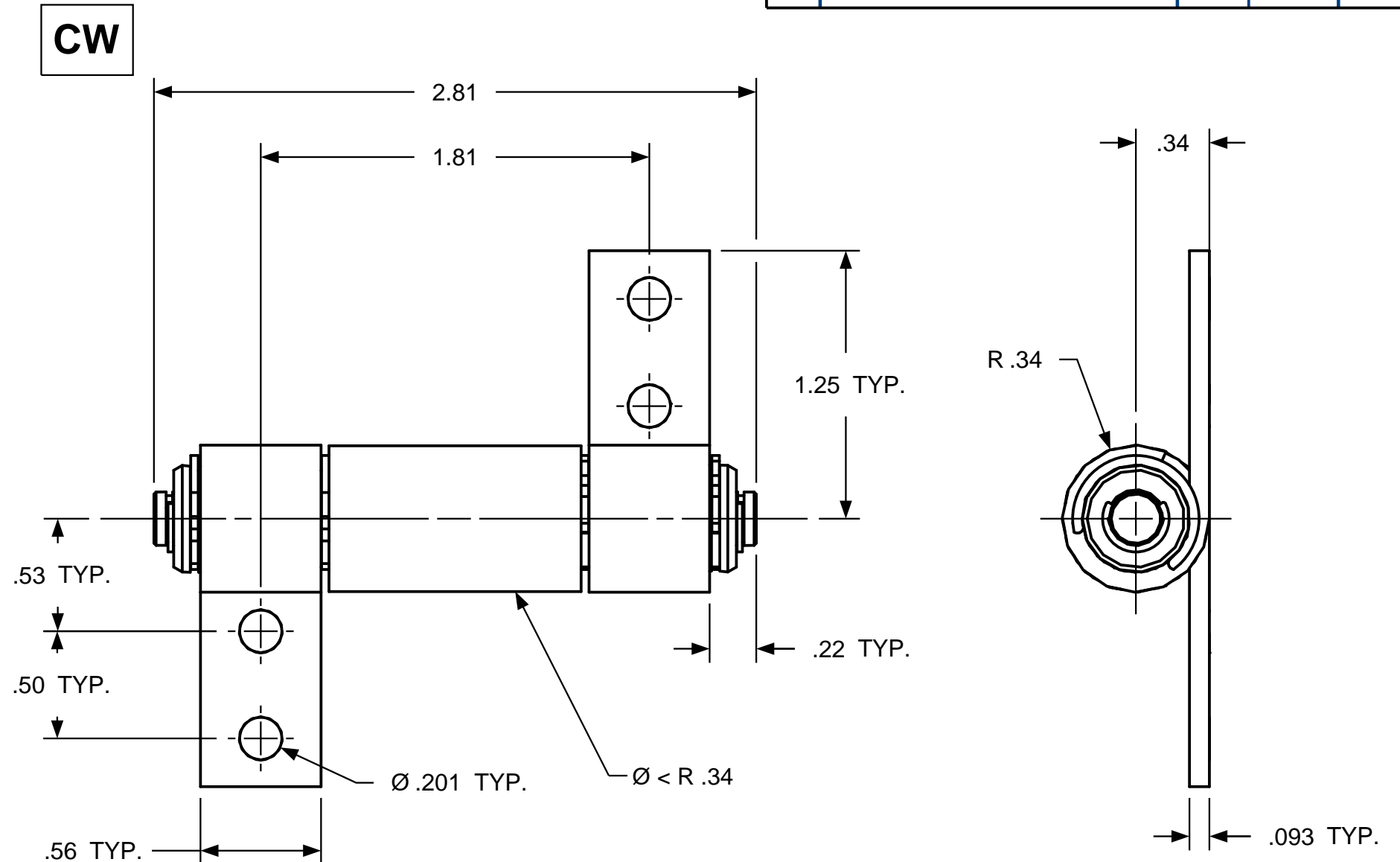


ROTATION
AS SHOWN FOR
CALLOUT OF
TORQUE



REVISION RECORD				
SYM	DESCRIPTION	BY	DATE	APPD
A	RELEASED FOR MFG.	RA	1/21/20	RA



TORQUE ONLY IN ONE DIRECTION
CHOOSE (CW OR CCW)
OPPOSITE = "ONE WAY" SLIP CLUTCH

CW AVAILABLE TORQUE (10 - 40) INCH POUNDS
CCW AVAILABLE TORQUE (15 - 65) INCH POUNDS

FREE DIRECTION-SLIP CLUTCH TORQUE APPROX. 90% LESS

P/N EXAMPLES:

SB 500 CS 102 - **CCW** = 50

CCW = 50 IN-LBs (CW APPROX 5 IN-LBs)

SB 500 CS 102 - **CW** = 30

CW = 30 IN-LBs (CCW IS APPROX 3 IN-LBs)

USED ON	SOLID	REV	TOLERANCES		ENGLISH / METRIC		TORQ MASTER INTERNATIONAL		200 HARVARD AVE STAMFORD, CT USA	
STD SB500 CS	102	A	ENGLISH	METRIC						
NEXT ASSY	N/A		.XX ±.015 IN	.X ±.4 MM	DRAWN BY	DATE	MATERIAL N/A			
QUANTITY			.XXX ±.005 IN	.XX ±.13 MM	RA	1/21/20	TITLE HINGE, INTERFACE			
PER ASSY, PCS			.XXXX ±.0002 IN	.XXX ±.05 MM	CHECKED BY	DATE	SIZE B		REV A	
TOTAL, PCS					RA	1/21/20	SCALE NTS		SHEET 1 OF 1	
THIS INFORMATION IS PROPRIETARY TOTORQMASTER, INTL. THE POSSESSOR AGREES TO MAINTAIN IT IN CONFIDENCE, NOT REPRODUCING OR REVEALING IT IN WHOLE OR IN PART.										