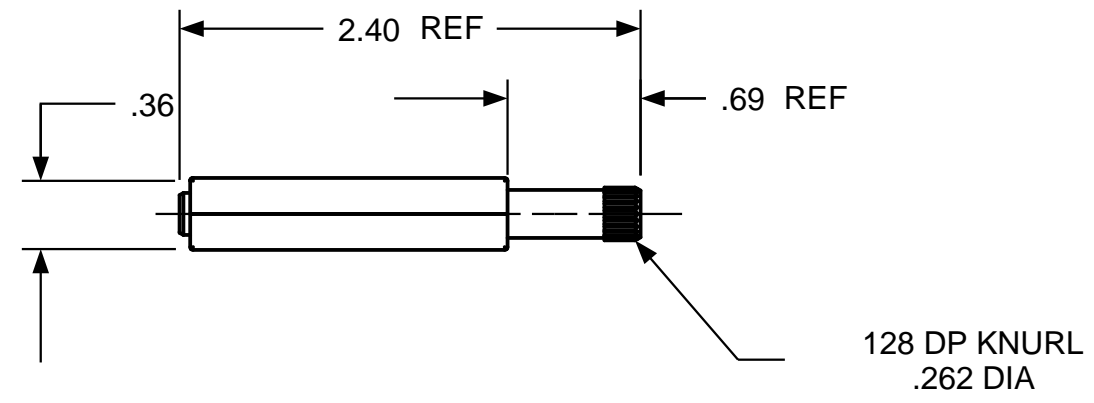
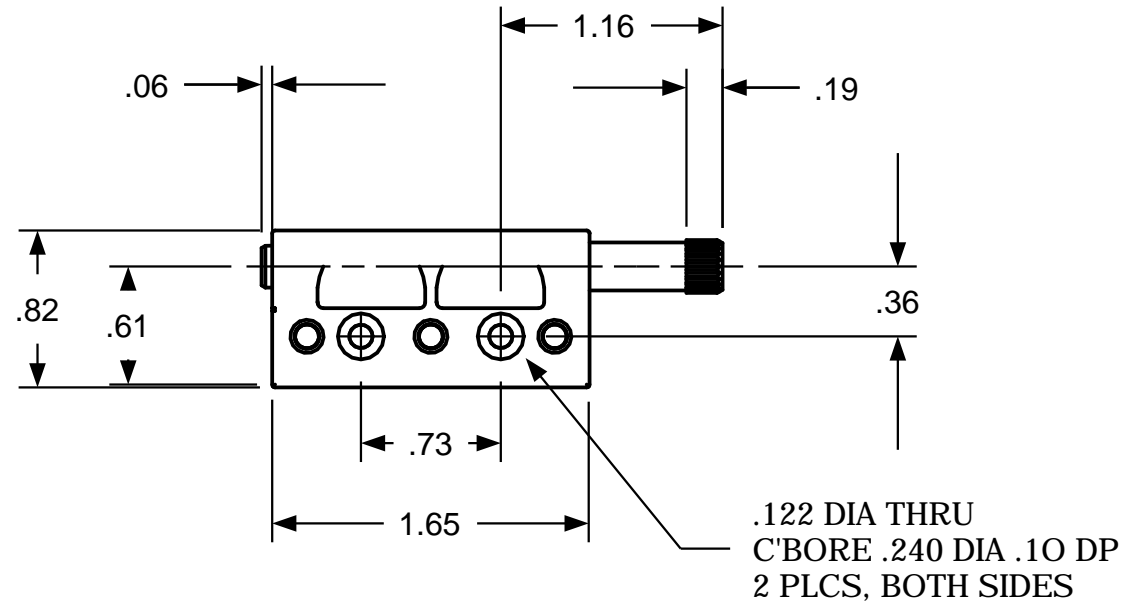
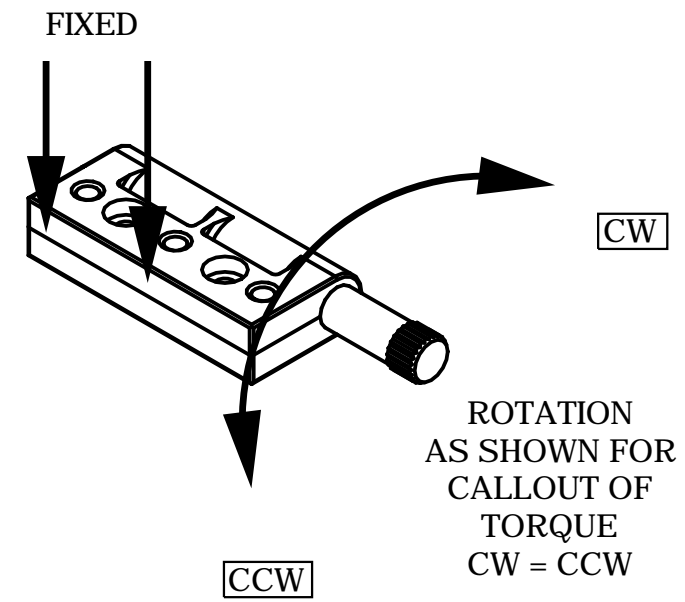


REVISION RECORD				
SYM	DESCRIPTION	BY	DATE	APPD
B	SHAFT LENGTH REVISED	DJC	03/21/12	DJC



TORQUE		
GEOMETRY	CW TORQUE	CCW TORQUE
ZC 250 SA 101	7	7
ZC 250 SA 101	9	X
ZC 250 SA 101	10	10
ZC 250 SA 101	14	14
ZC 250 SA 101		

**CUSTOM TORQUE CONFIGURATIONS AVAILABLE. FOR QUOTE:**  
[www.torqmaster.com](http://www.torqmaster.com)  
 1-888-41-HINGE

USED ON	SOLID	REV	TOLERANCES	DRAWN BY	DATE	ENGLISH	<b>TorqMaster, Inc.</b> Stamford, CT USA	
STANDARD	101	0.0	ENGLISH	RA	8-3-09			
NEXT ASSY	NONE		.XX ±.015 IN .XXX ±.005 IN .XXXX ±.0002 IN	CHECKED BY	DATE	MATERIAL	N/A	
QUANTITY				DJC	03-21-12	TITLE	HINGE INTERFACE	
PER ASSY, pcs	-					SIZE	ZC 250 KN 101	REV
TOTAL, pcs	-					B		B
THIS INFORMATION IS PROPRIETARY TO TORQMASTER, INTL. THE POSSESSOR AGREES TO MAINTAIN IT IN CONFIDENCE, NOT REPRODUCING OR REVEALING IT IN WHOLE OR IN PART.						SCALE	NTS	SHEET 1 OF 1