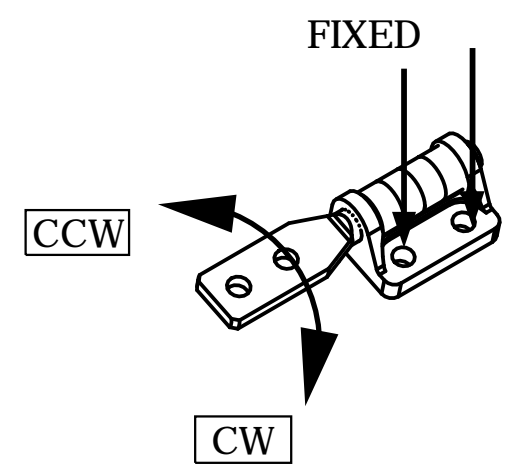
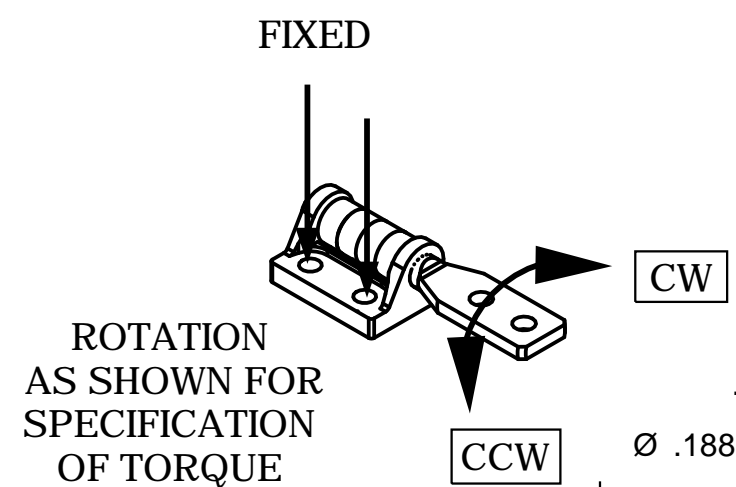


REVISION RECORD				
SYM	DESCRIPTION	BY	DATE	APPD
D	REVISED PER ECN # 02003	RA	11/30/20	RA

**LEFT HAND**

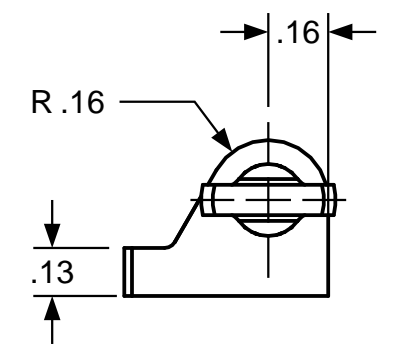
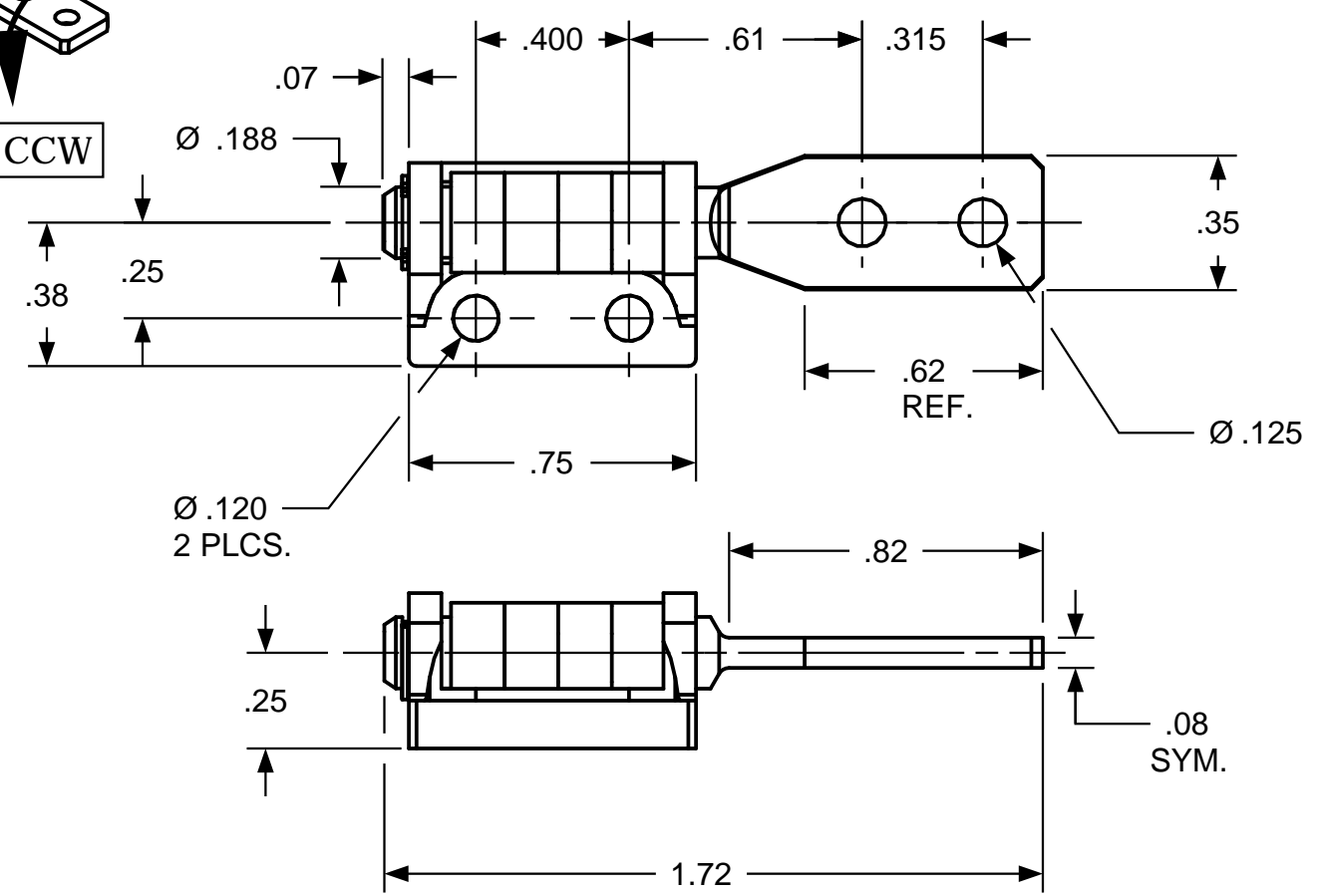


**RIGHT HAND**



TORQUE			
GEOMETRY	CW TORQUE	CCW TORQUE	HAND
ZE-188-CF-114	-4	-4	-L
ZE-188-CF-114	-4	-4	-R
ZE-188-CF-114	-5	-5	-L
ZE-188-CF-114	-5	-5	-R
ZE-188-CF-114	-8	-8	-L
ZE-188-CF-114	-8	-8	-R
ZE-188-CF-114	10	-10	-L
ZE-188-CF-114	-10	-10	-R

CUSTOM TORQUE CONFIGURATIONS AVAILABLE. FOR QUOTE:  
[www.torqmaster.com](http://www.torqmaster.com)  
 1-888-41 HINGE



USED ON	SOLID	REV	TOLERANCES	DRAWN BY	DATE	ENGLISH	<b>TorqMaster, Inc.</b> Stamford, CT USA
STANDARD	114	D	ENGLISH	RA	5/9/97		
NEXT ASSY	NONE		.XX ±.015 IN .XXX ±.005 IN	CHECKED BY	DATE	MATERIAL	N/A
QUANTITY				DJC	5/9/97	TITLE	
PER ASSY, PCS		-				HINGE INTERFACE	
TOTAL, PCS		-				HINGE INTERFACE	
THIS INFORMATION IS PROPRIETARY TO TORQMASTER, INTL. THE POSSESSOR AGREES TO MAINTAIN IT IN CONFIDENCE, NOT REPRODUCING OR REVEALING IT IN WHOLE OR IN PART.						SIZE	REV
						B	D
						SCALE	
						NTS	
						SHEET	
						1	
						OF	
						1	