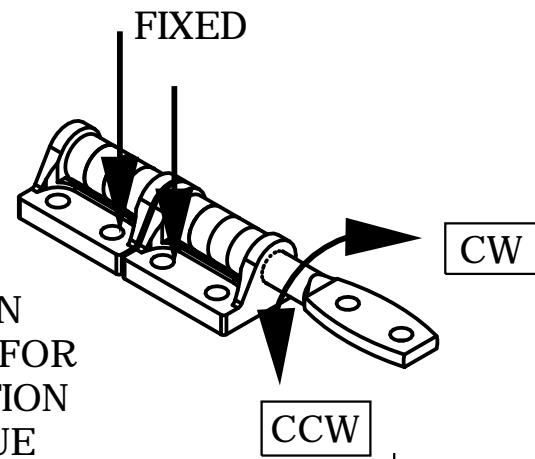
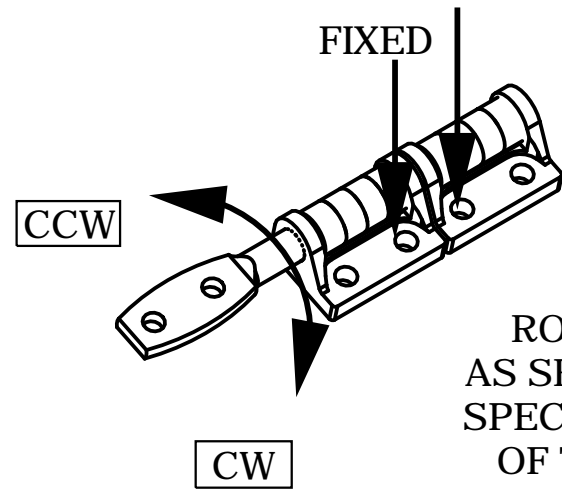


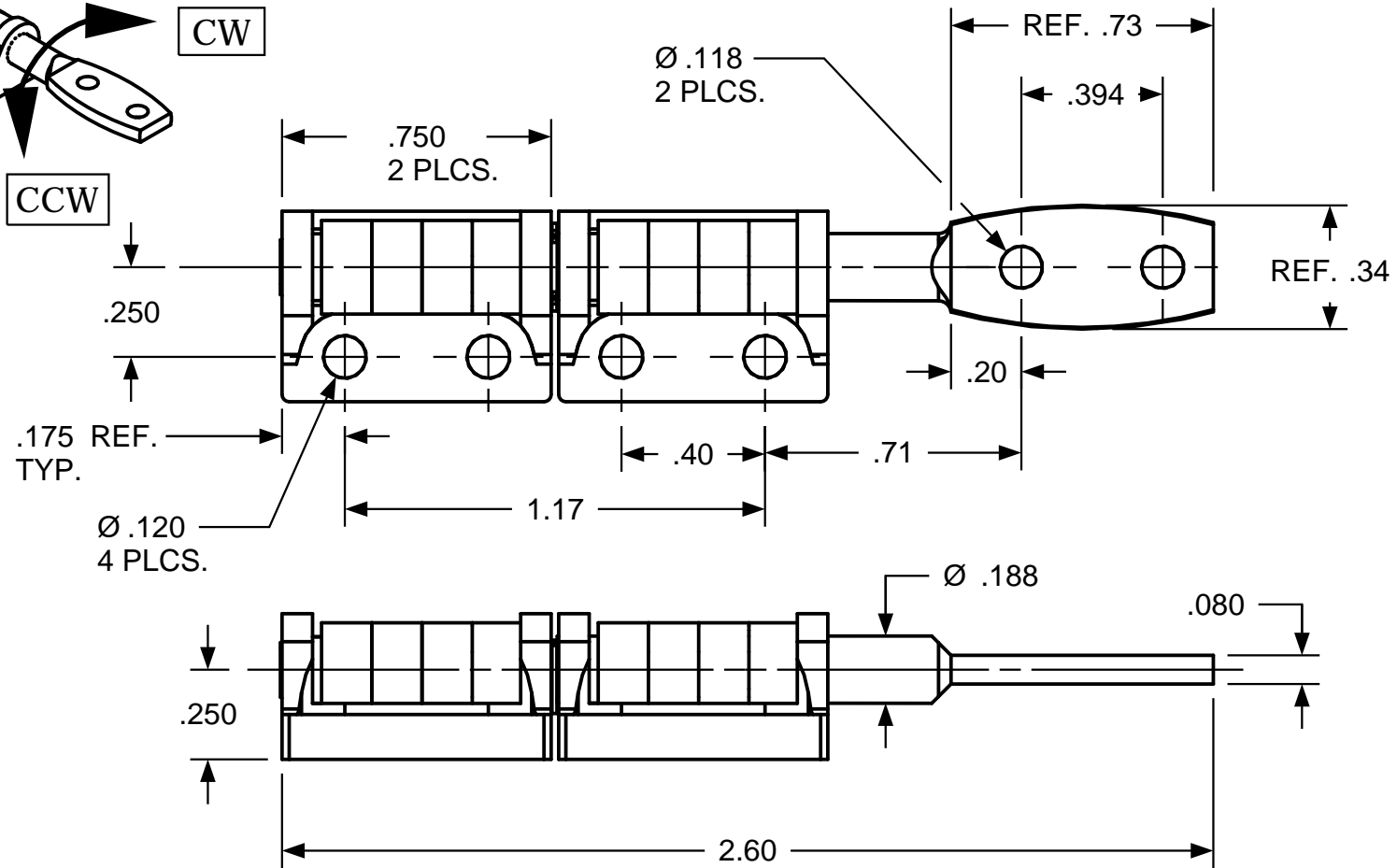
REVISION RECORD				
SYM	DESCRIPTION	BY	DATE	APPD
A	RELEASED FOR PRODUCTION	DJC	02-11-11	DJC
B	REVISED PER ECN # 02002	RA	11-30-20	RA

LEFT HAND

RIGHT HAND



ROTATION AS SHOWN FOR SPECIFICATION OF TORQUE



TORQUE

GEOMETRY	CW TORQUE	CCW TORQUE	HAND
ZE-188-CF-214	-10	-10	-L
ZE-188-CF-214	-10	-10	-R
ZE-188-CF-214	-13	-13	-L
ZE-188-CF-214	-13	-13	-R
ZE-188-CF-214	-16	-16	-L
ZE-188-CF-214	-16	-16	-R
ZE-188-CF-214	-20	-20	-L
ZE-188-CF-214	-20	-20	-R

CUSTOM TORQUE CONFIGURATIONS AVAILABLE. FOR QUOTE:
www.torqmaster.com
 1-888-41 HINGE

USED ON	SOLID	REV	TOLERANCES	DRAWN BY	DATE	ENGLISH	TorqMaster, Inc. Stamford, CT USA
STANDARD	214	D	ENGLISH	DJC	02/11/11		
NEXT ASSY	NONE		.XX ±.015 IN .XXX ±.005 IN	CHECKED BY	DATE	MATERIAL	N/A
QUANTITY				DJC	02/11/11	TITLE	
PER ASSY, PCS	-					HINGE INTERFACE	
TOTAL, PCS	-					SIZE	REV
THIS INFORMATION IS PROPRIETARY TO TORQMASTER, INTL. THE POSSESSOR AGREES TO MAINTAIN IT IN CONFIDENCE, NOT REPRODUCING OR REVEALING IT IN WHOLE OR IN PART.						ZE 188 CF 214	
				SCALE	NTS	SHEET	1 OF 1