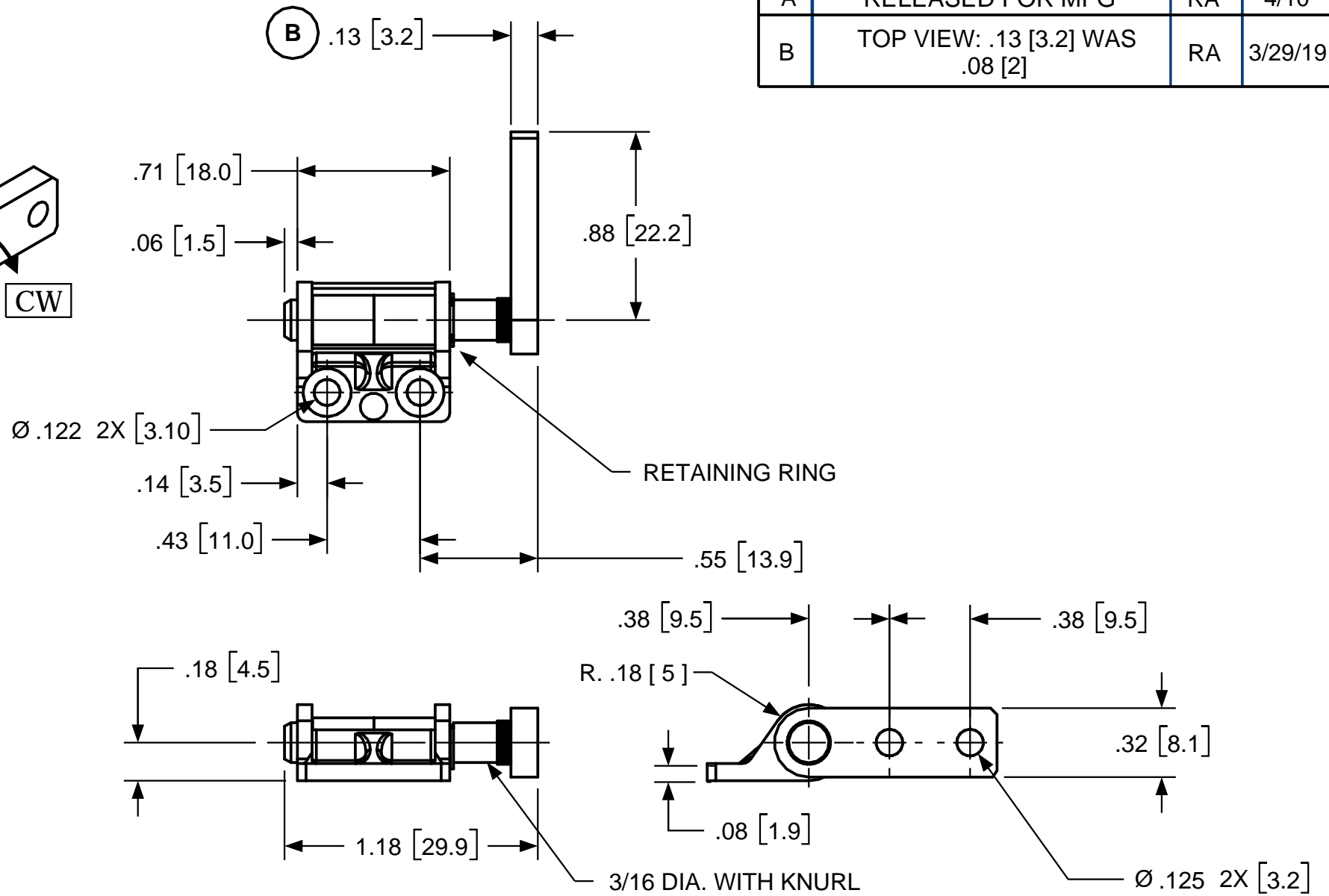
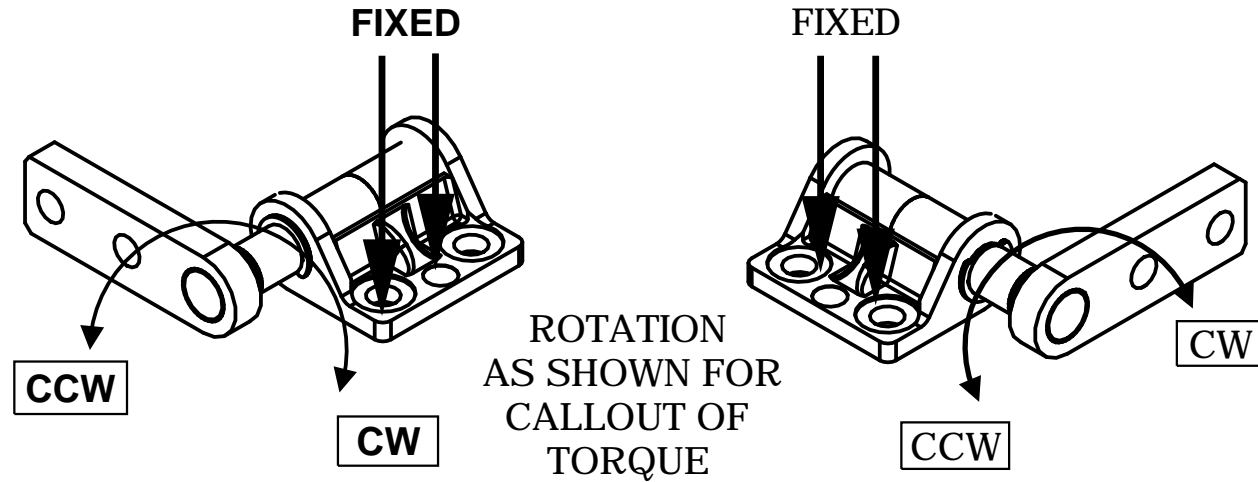


REVISION RECORD

SYM	DESCRIPTION	BY	DATE	APPD
A	RELEASED FOR MFG	RA	4/10	
B	TOP VIEW: .13 [3.2] WAS .08 [2]	RA	3/29/19	RA

LEFT HAND

RIGHT HAND



TORQUE

GEOMETRY	CW TORQUE	CCW TORQUE	HAND
ZE 188 SA 104	1	1	L
ZE 188 SA 104	1	1	R
ZE 188 SA 104	4	4	L
ZE 188 SA 104	4	4	R

CUSTOM TORQUE CONFIGURATIONS AVAILABLE. FOR QUOTE:
www.torqmaster.com
 1-888-41-HINGE

USED ON	SOLID	REV	TOLERANCES	DRAWN BY	DATE	ENGLISH / METRIC <i>TorqMaster, Inc.</i>	
STANDARD	104	B	ENGLISH / METRIC	RA	3/10	Stamford, CT USA	
NEXT ASSY	N/A		.XX ±.015 IN .XXX ±.005 IN	CHECKED BY	DATE	MATERIAL N/A	
QUANTITY			.X ±4MM .XX ±.13MM .XXX ±.05MM			TITLE HINGE INTERFACE	
PER ASSY, PCS	-					SIZE B	REV B
TOTAL, PCS	-					ZE 188 SA 104	
THIS INFORMATION IS PROPRIETARY TO TORQMASTER, INTL. THE POSSESSOR AGREES TO MAINTAIN IT IN CONFIDENCE, NOT REPRODUCING OR REVEALING IT IN WHOLE OR IN PART.						SCALE NTS	SHEET 1 OF 1