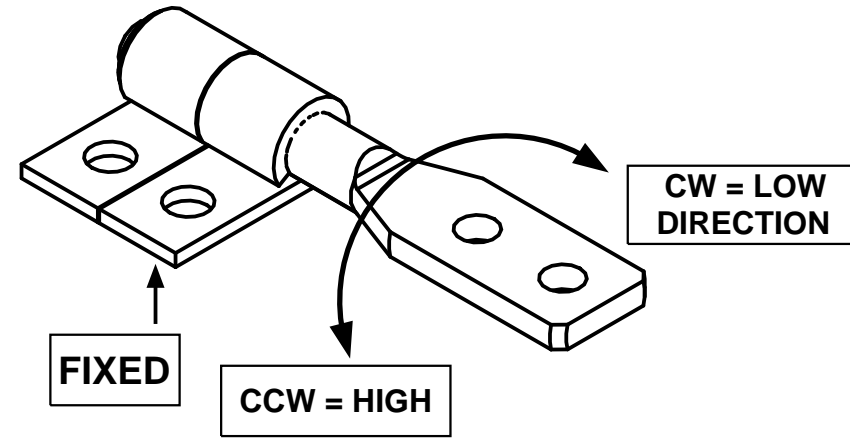
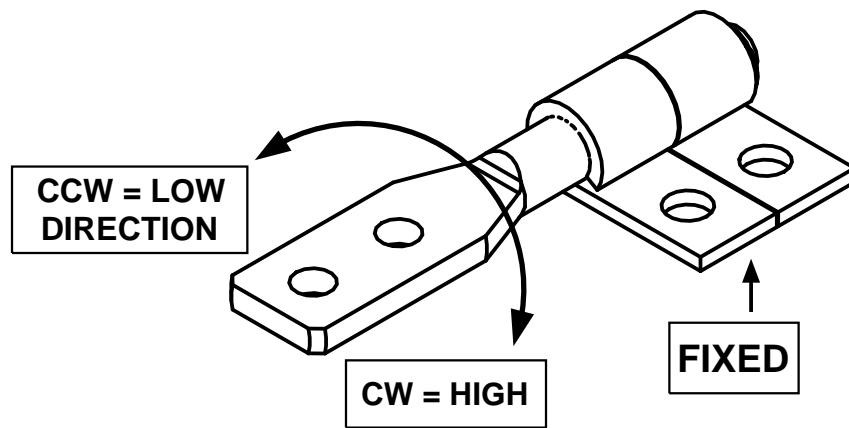


REVISION RECORD

SYM	DESCRIPTION	BY	DATE	APPD
A	RELEASED FOR MFG.	RA	1/14/20	RA

LEFT HAND

RIGHT HAND

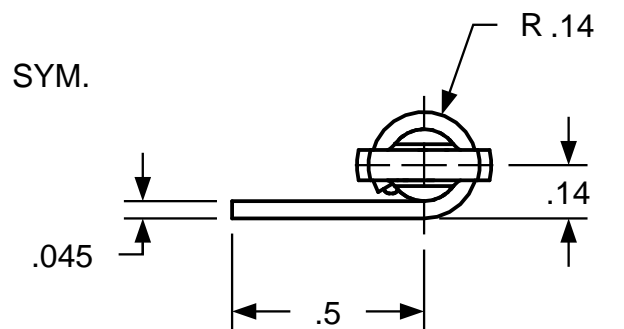
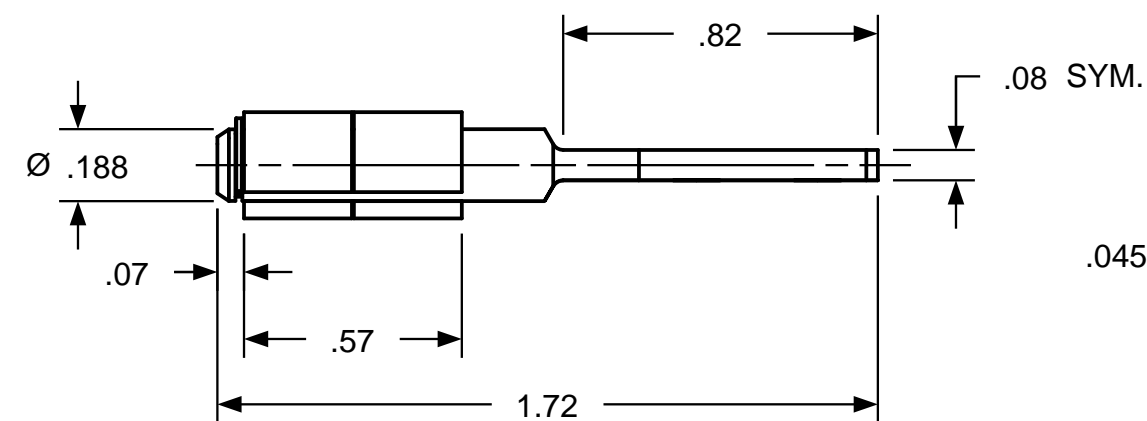
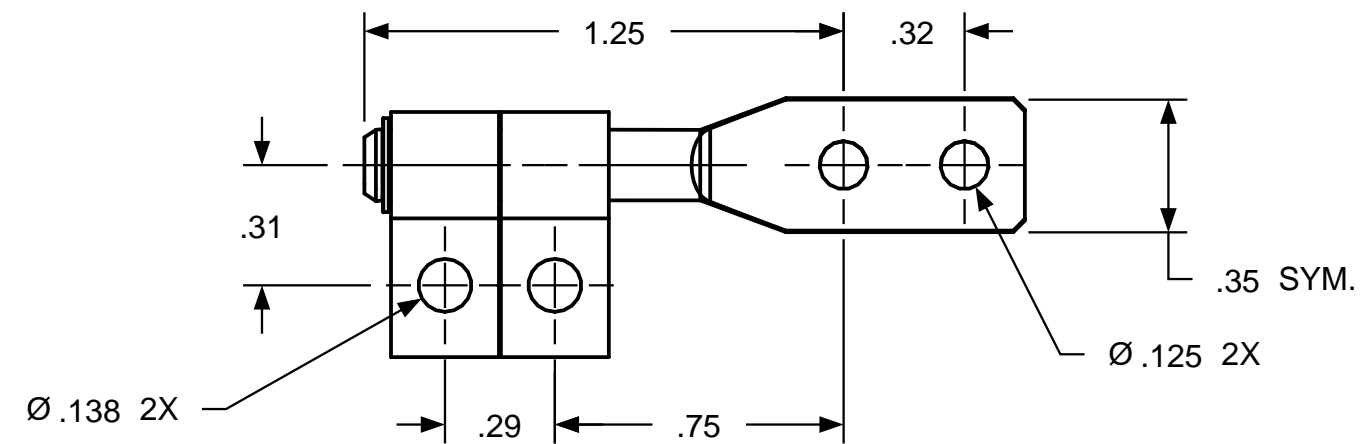


TORQUE UNBALANCED/ASYMETRIC  
MAX TORQUE 12 INCH POUNDS PER HINGE, HIGH DIRECTION

RIGHT HINGE CCW = HIGH

LEFT HINGE CW = HIGH

LOW TORQUE DIRECTION APPROX. 65% OF HIGH



USED ON	SOLID	REV	TOLERANCES		ENGLISH / METRIC		TORQ MASTER INTERNATIONAL		200 HARVARD AVE STAMFORD, CT USA	
STD. SB188CF	101	A	ENGLISH	METRIC						
NEXT ASSY	N/A		.XX ±.015 IN	.X ±.4 MM	DRAWN BY	DATE	MATERIAL N/A			
QUANTITY			.XXX ±.005 IN	.XX ±.13 MM	RA	1/14/20	TITLE HINGE INTERFACE			
PER ASSY, PCS			.XXXX ±.0002 IN	.XXX ±.05 MM	CHECKED BY	DATE	SIZE B		REV A	
TOTAL, PCS							SCALE NTS		SHEET 1 OF 1	
THIS INFORMATION IS PROPRIETARY TOTORQMASTER, INTL. THE POSSESSOR AGREES TO MAINTAIN IT IN CONFIDENCE, NOT REPRODUCING OR REVEALING IT IN WHOLE OR IN PART.					