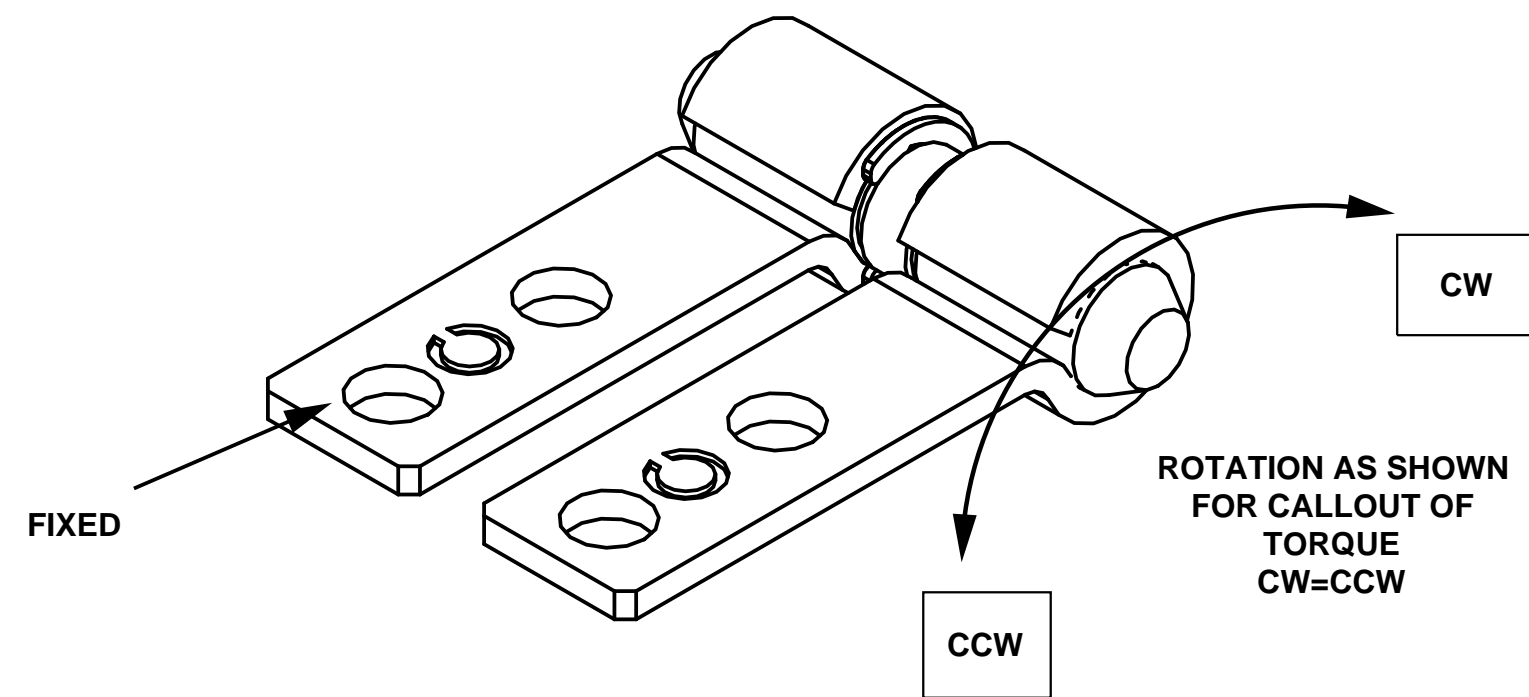
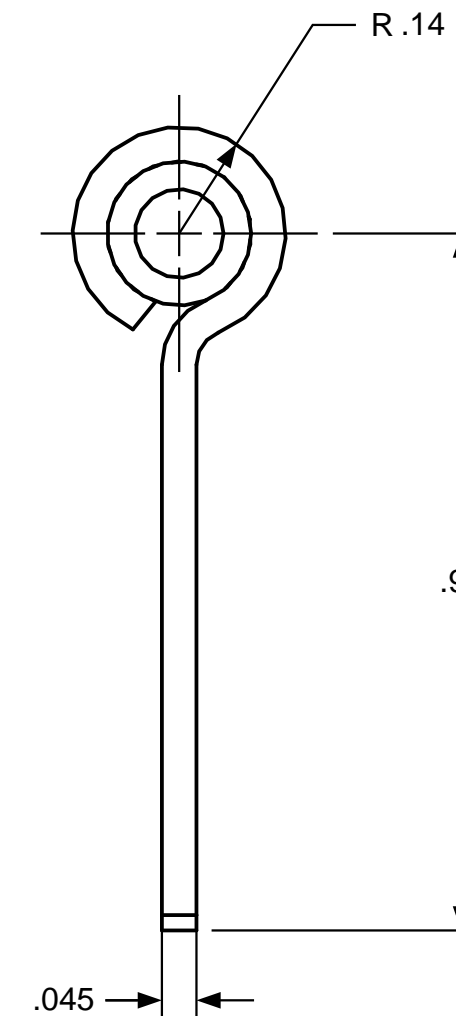
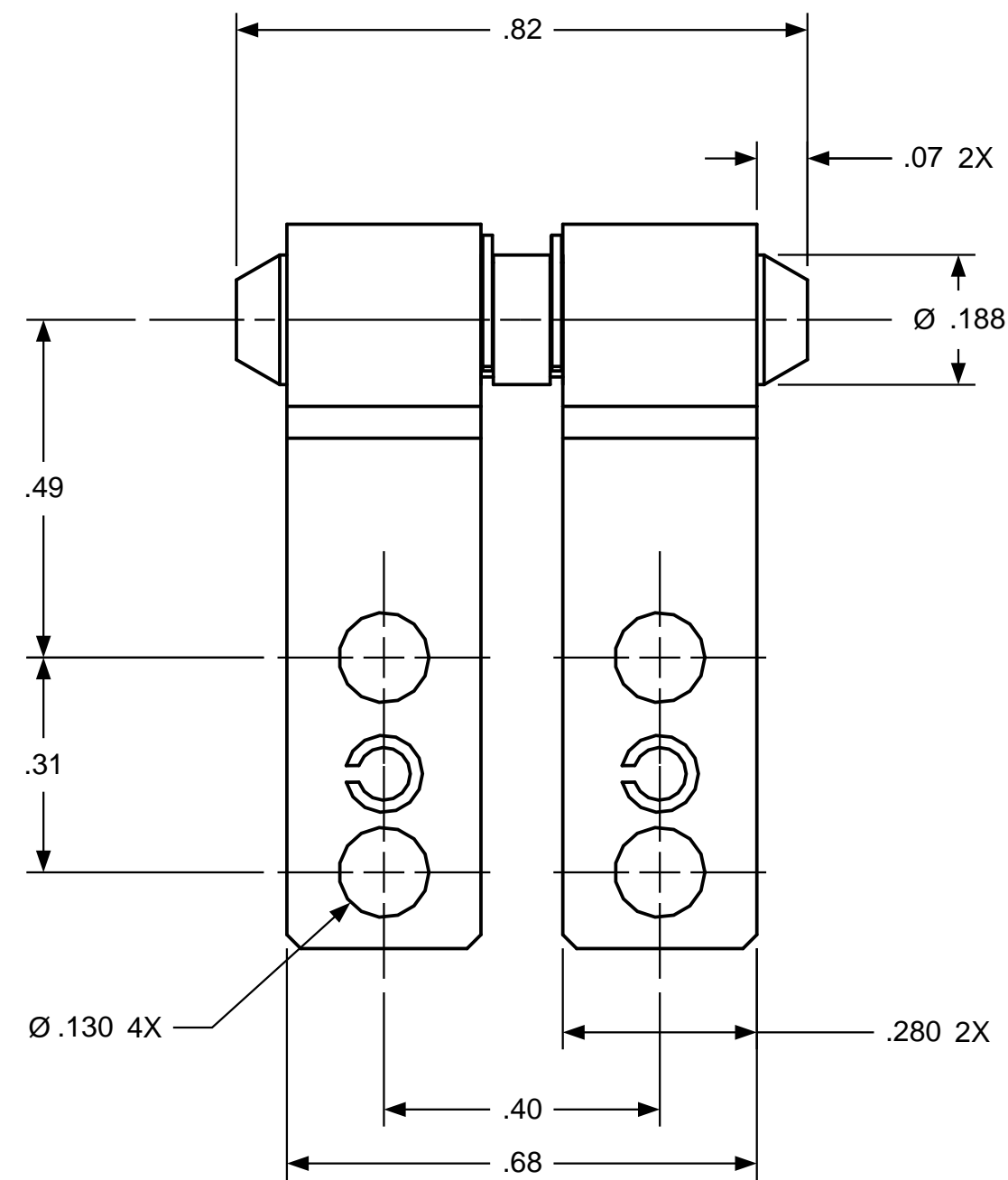


REVISION RECORD				
SYM	DESCRIPTION	BY	DATE	APPD
A	RELEASED FOR MFG.	RA	7/15/13	RA



TORQUE CALLOUT
<u>-1-</u> 0.5 - 1.5 in lbs
<u>-2-</u> 1.5 - 3.0 in lbs
<u>-3-</u> 3.0 - 4.5 in lbs
<u>-4-</u> 4.5 - 6.0 in lbs



USED ON	SOLID	REV	TOLERANCES		ENGLISH / METRIC		TORQ MASTER INTERNATIONAL		200 HARVARD AVE STAMFORD, CT USA		
STANDARD	118		ENGLISH	METRIC							
NEXT ASSY	N/A		.XX ±.015 IN	.X ±.3 MM	DRAWN BY	DATE	MATERIAL N/A				
QUANTITY			.XXX ±.005 IN	.XX ±.13 MM	RA	11/2021	TITLE HINGE INTERFACE				
PER ASSY, PCS	-		.XXXX ±.0002 IN	.XXX ±.05 MM	CHECKED BY	DATE	SIZE C		REV A		
TOTAL, PCS	-		ANGLES ±0.5° SURFACE 63 μ				SCALE 1:1		SHEET 1 OF 1		
THIS INFORMATION IS PROPRIETARY TOTORQMASTER, INTL. THE POSSESSOR AGREES TO MAINTAIN IT IN CONFIDENCE, NOT REPRODUCING OR REVEALING IT IN WHOLE OR IN PART.											