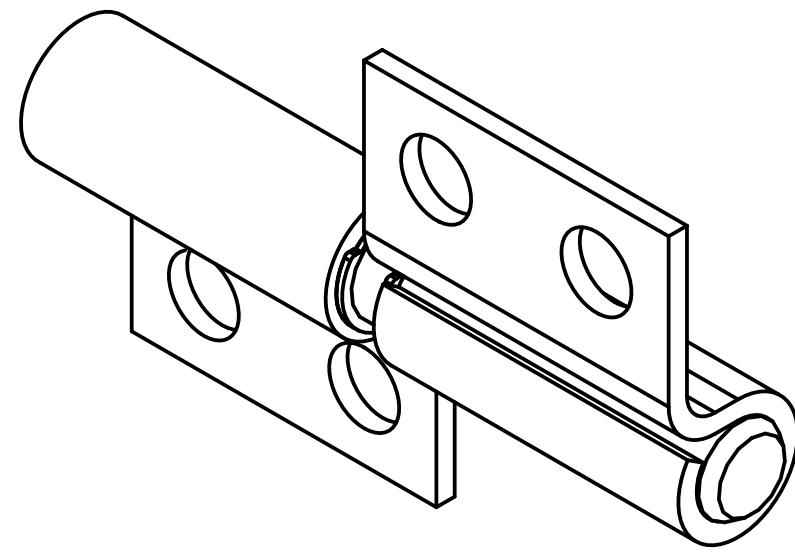
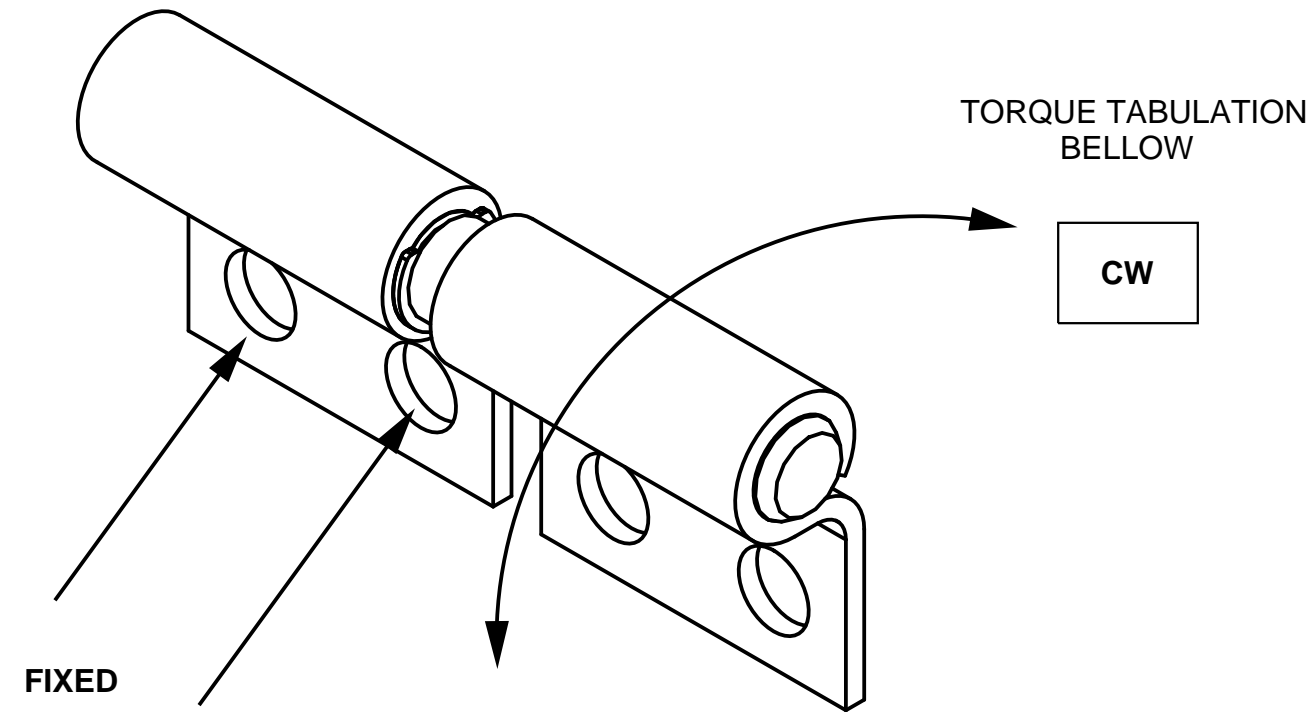


REVISION RECORD				
SYM	DESCRIPTION	BY	DATE	APPD
A	RELEASED FOR MFG.	RA	7/15/13	RA

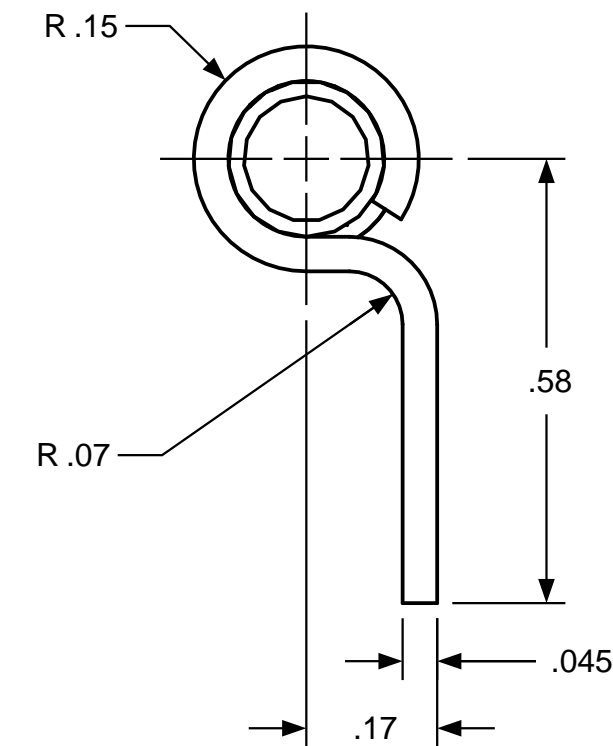
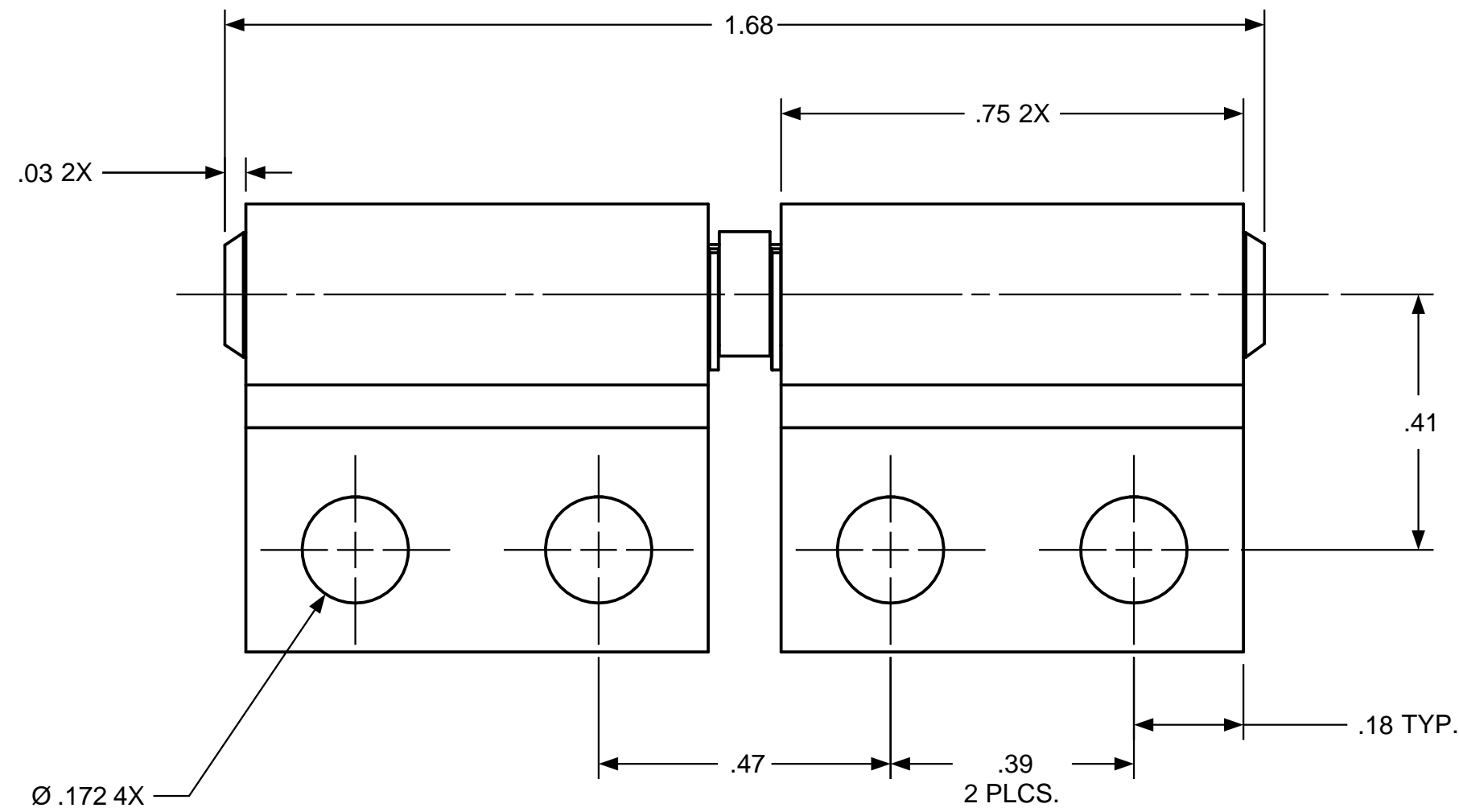


ALTERNATE ORIENTATION -B-



ROTATION AS SHOWN FOR CALLOUT OF TORQUE
CW=CCW

CCW



TORQUE CALLOUT
-1- 2.0 - 4.0 lb. in
-2- 4.0 - 6.0 lb. in
-3- 6.0 - 8.5 lb. in
-4- 8.5 - 11.0 lb. in
-5- 11.0 - 15.0 lb. in

TORQUE CALLOUT TO FOLLOW MAIN PART #
EXP: SB 200 SB 104 - 3 (TORQUE CW AS SHOWN 6.0-8.5 IN LB.)

USED ON	SOLID	REV	TOLERANCES		ENGLISH / METRIC		TORQ MASTER INTERNATIONAL		200 HARVARD AVE STAMFORD, CT USA				
STANDARD	104		ENGLISH	METRIC	ENGLISH / METRIC	DATE	MATERIAL	N/A					
NEXT ASSY	N/A		.XX ±.015 IN	.X ±.3 MM	DRAWN BY	11/2021	TITLE	HINGE INTERFACE					
QUANTITY			.XXX ±.005 IN	.XX ±.13 MM	RA								
PER ASSY, PCS	-		.XXXX ±.0002 IN	.XXX ±.05 MM	CHECKED BY		DATE						
TOTAL, PCS	-		ANGLES ±0.5° SURFACE 63 μ				SIZE	SB 200 SB 104		REV			
THIS INFORMATION IS PROPRIETARY TOTORQMASTER, INTL. THE POSSESSOR AGREES TO MAINTAIN IT IN CONFIDENCE, NOT REPRODUCING OR REVEALING IT IN WHOLE OR IN PART.							C	SCALE	1:1	SHEET	1	OF	1