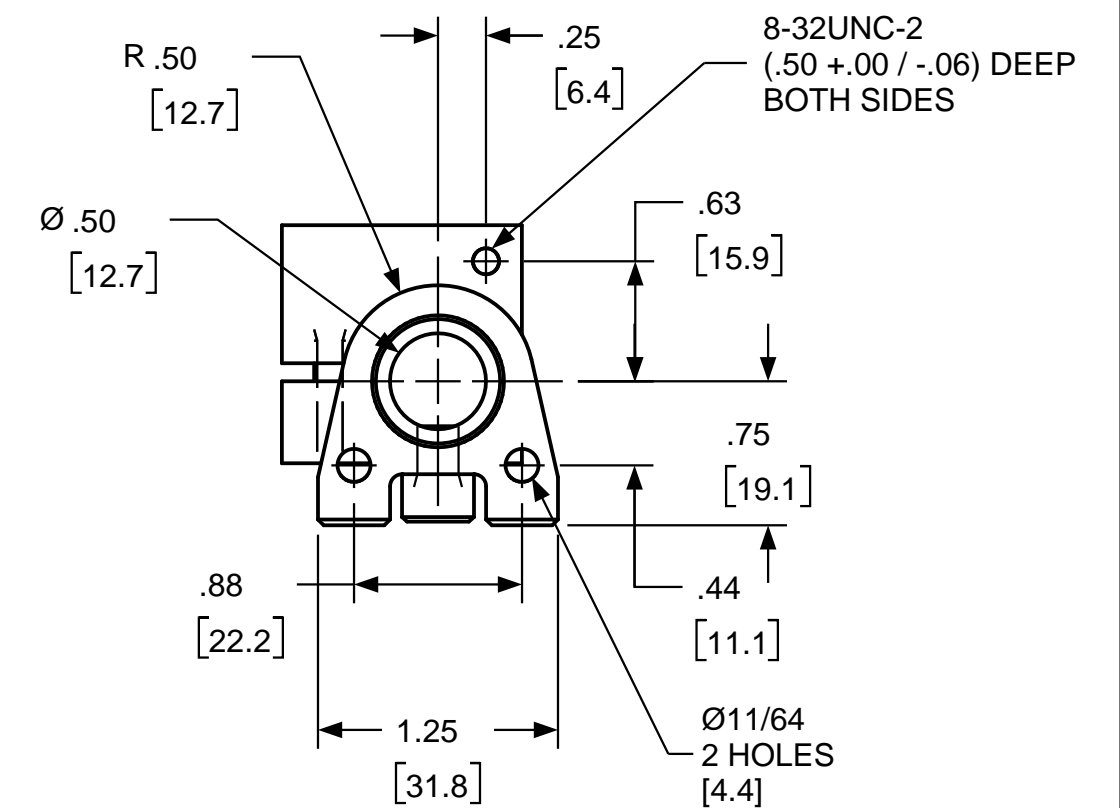
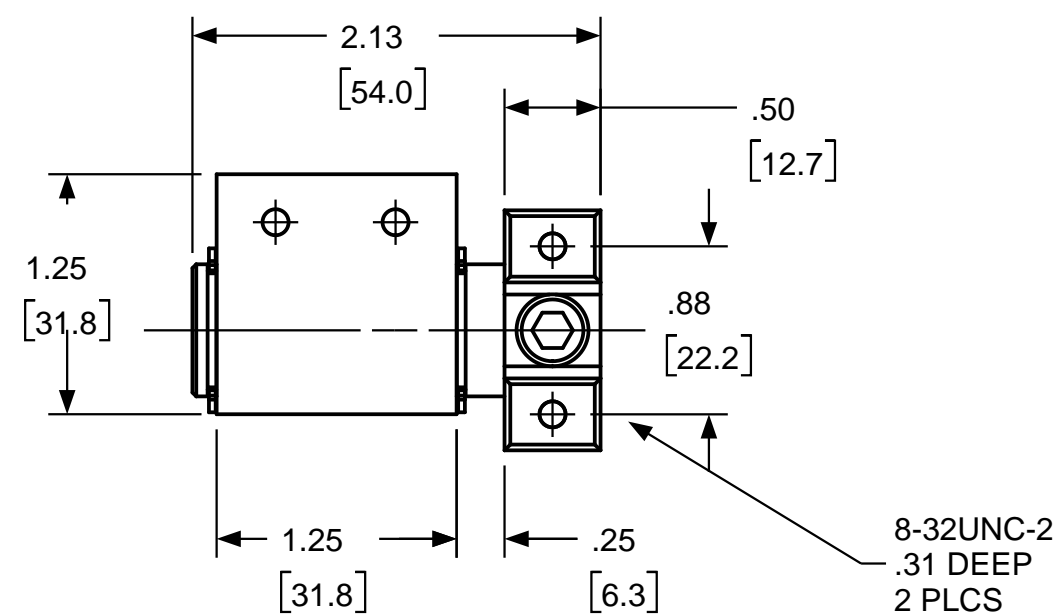
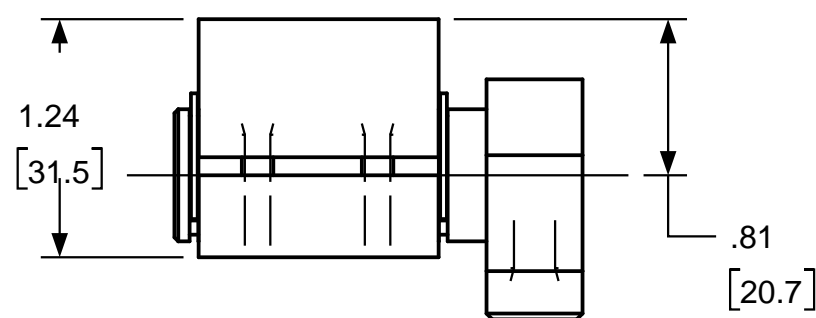
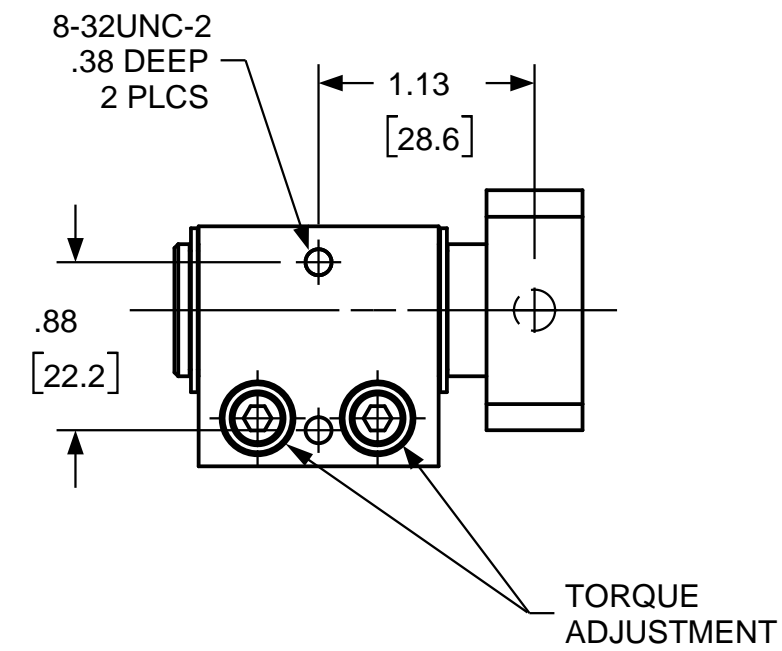
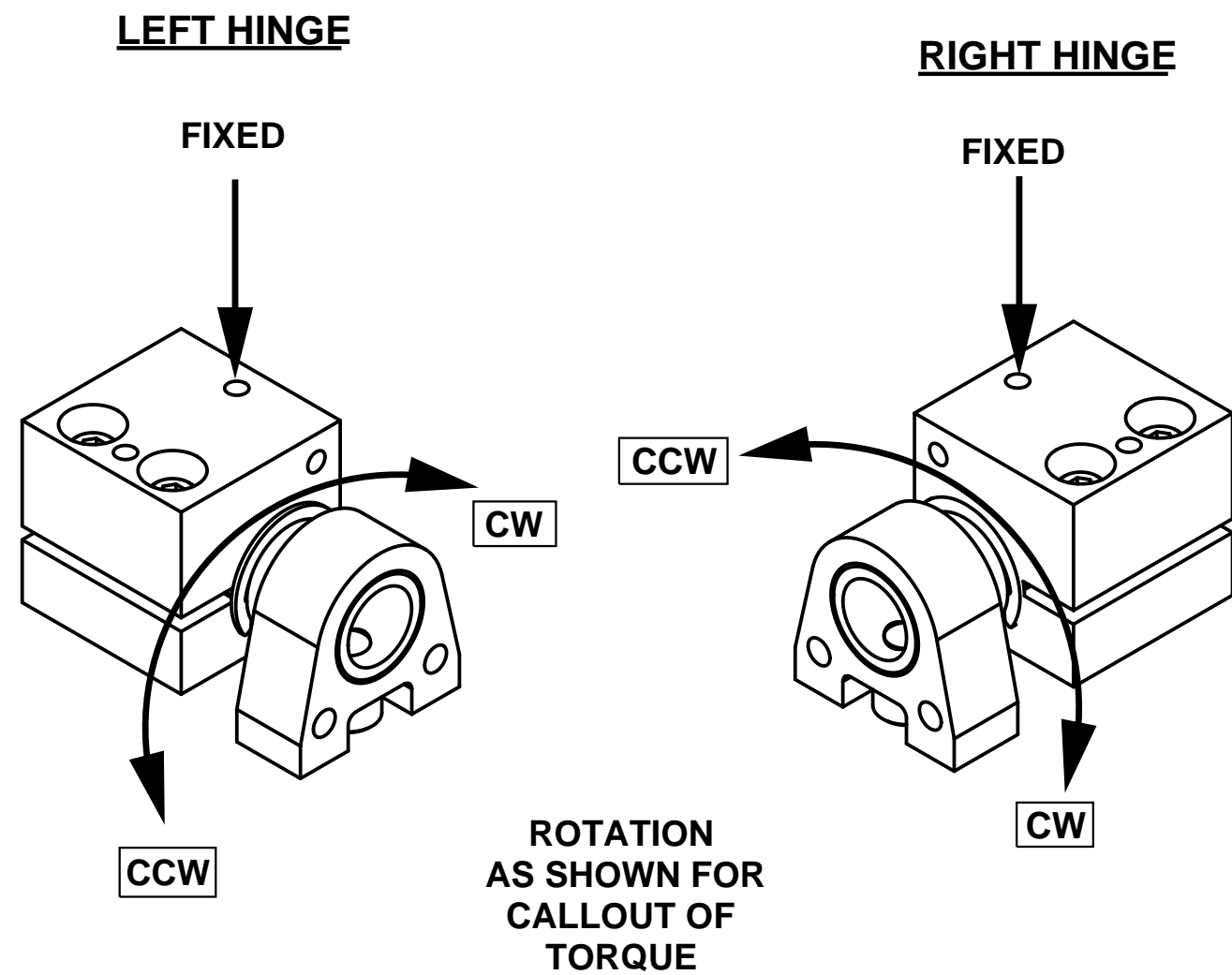


REVISION RECORD				
SYM	DESCRIPTION	BY	DATE	APPD
C	REVISED PER ECN 03097.	RMF	12/17/03	LH
D	REVISED PER ECN 018001.	RA	10/26/18	RA



- NOTES:**
- HINGE TYPE: BALANCED.
  - TORQUE ADJUSTABLE RANGE FROM 20 TO 100 lb. in (230 TO 1152 KG. MM.).

USED ON	SOLID	REV	TOLERANCES		ENGLISH / METRIC		TORQ MASTER INTERNATIONAL	
STANDARD	101	0.0	ENGLISH	METRIC			200 HARVARD AVE STAMFORD, CT USA	
NEXT ASSY	N/A		.XX ±.015 IN	.X ±.3 MM	DRAWN BY	DATE	MATERIAL N/A	
<b>QUANTITY</b>			.XXX ±.005 IN	.XX ±.13 MM	RA	6/3/97	TITLE HINGE INTERFACE	
PER ASSY, PCS	-		.XXX ±.0020 IN	.XXX ±.05 MM	CHECKED BY	DATE	SIZE MA 685 MA 101	
TOTAL, PCS	-		ANGLES ±0.5°		DJC		REV D	
THIS INFORMATION IS PROPRIETARY TOTORQMASTER, INTL. THE POSSESSOR AGREES TO MAINTAIN IT IN CONFIDENCE, NOT REPRODUCING OR REVEALING IT IN WHOLE OR IN PART.							SCALE 1:1	
					SHEET 1 OF 1			