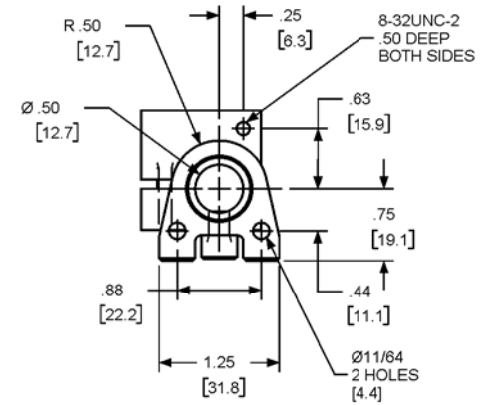
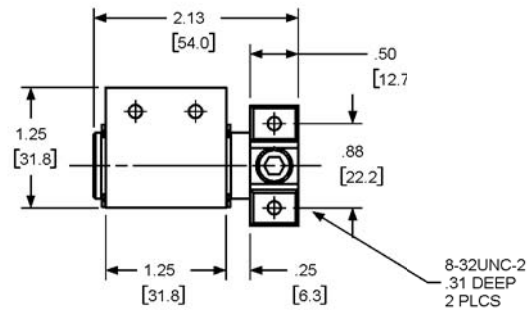
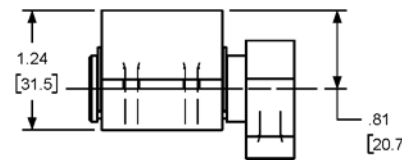
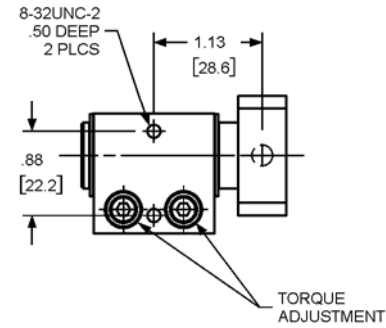
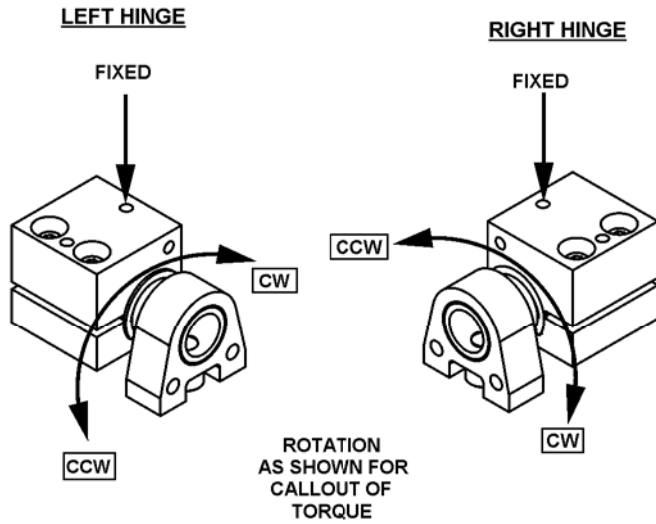


REVISION RECORD				
SYM	DESCRIPTION	BY	DATE	APPD
C	REVISED PER ECN 03097.	RMF	12/17/03	LH



**NOTES:**

- HINGE TYPE: BALANCED.
- TORQUE ADJUSTABLE RANGE FROM 20 TO 100 lb. in (230 TO 1152 KG. MM.).

USED ON		SOLID	REV	TOLERANCES		ENGLISH / METRIC		TorqMASTER INTERNATIONAL		200 HARVARD AVE STAMFORD, CT, USA	
STANDARD	101	0.0	ENGLISH	METRIC	DRAWN BY	DATE	MATERIAL	N/A			
NEXT ASSY	N/A		XX ± 015 IN	XX ± 3 MM	RA	6/3/97	TITLE	HINGE INTERFACE			
QUANTITY			XXX ± 005 IN	XX ± 13 MM	CHECKED BY	DATE	SIZE	MA 685 MA 101			
PER ASSY, PCS	-		XXXX ± 0020 IN	XXX ± 05 MM	DJC		SCALE	1:1			
TOTAL, PCS	-		ANGLES ± 0.5° SURFACE 63 μ				SHEET	1 OF 1			
THIS INFORMATION IS PROPRIETARY TO TORQMASTER, INTL. THE POSSESSOR AGREES TO MAINTAIN IT IN CONFIDENCE, NOT REPRODUCING OR REVEALING IT IN WHOLE OR IN PART.											