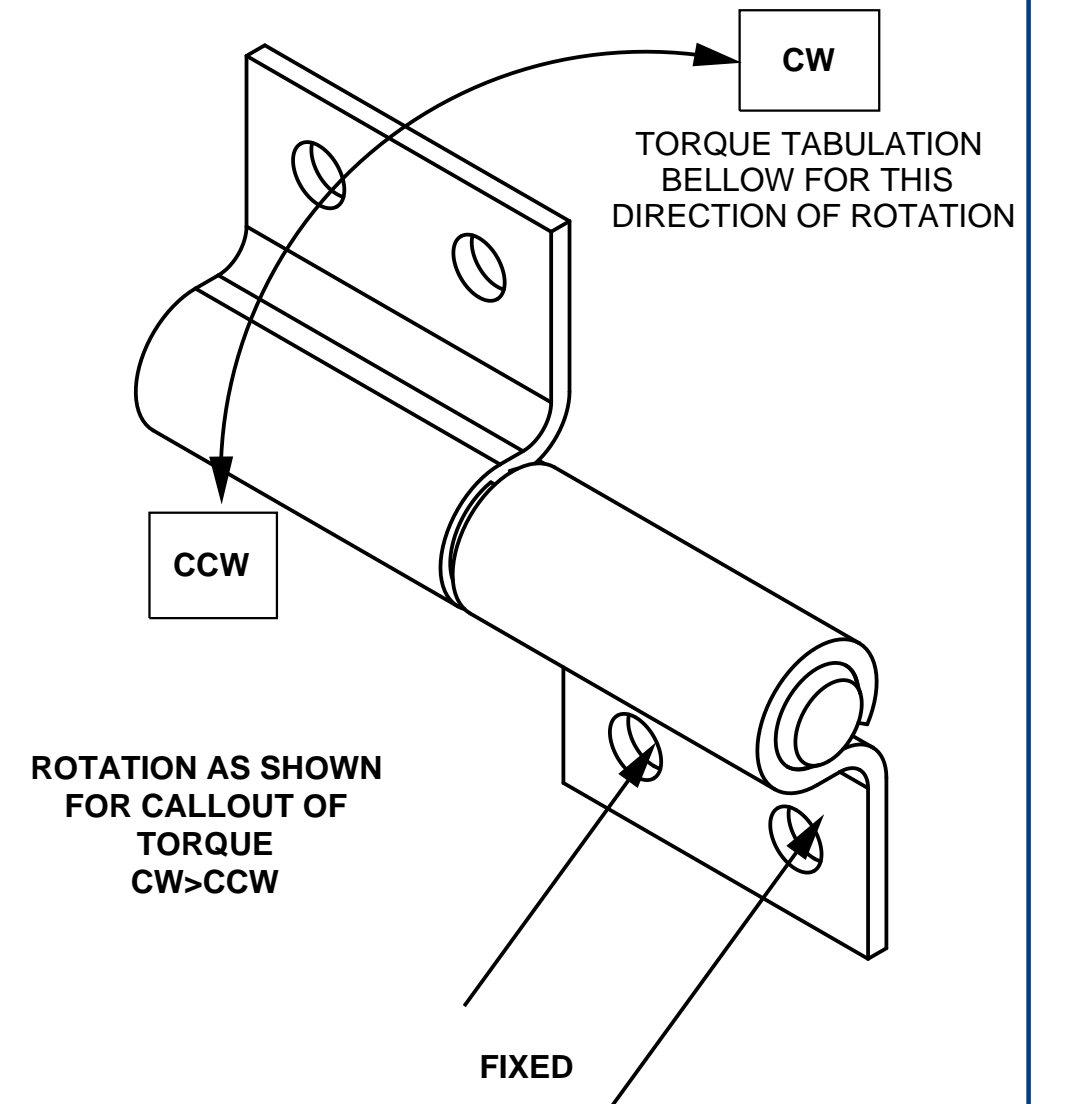
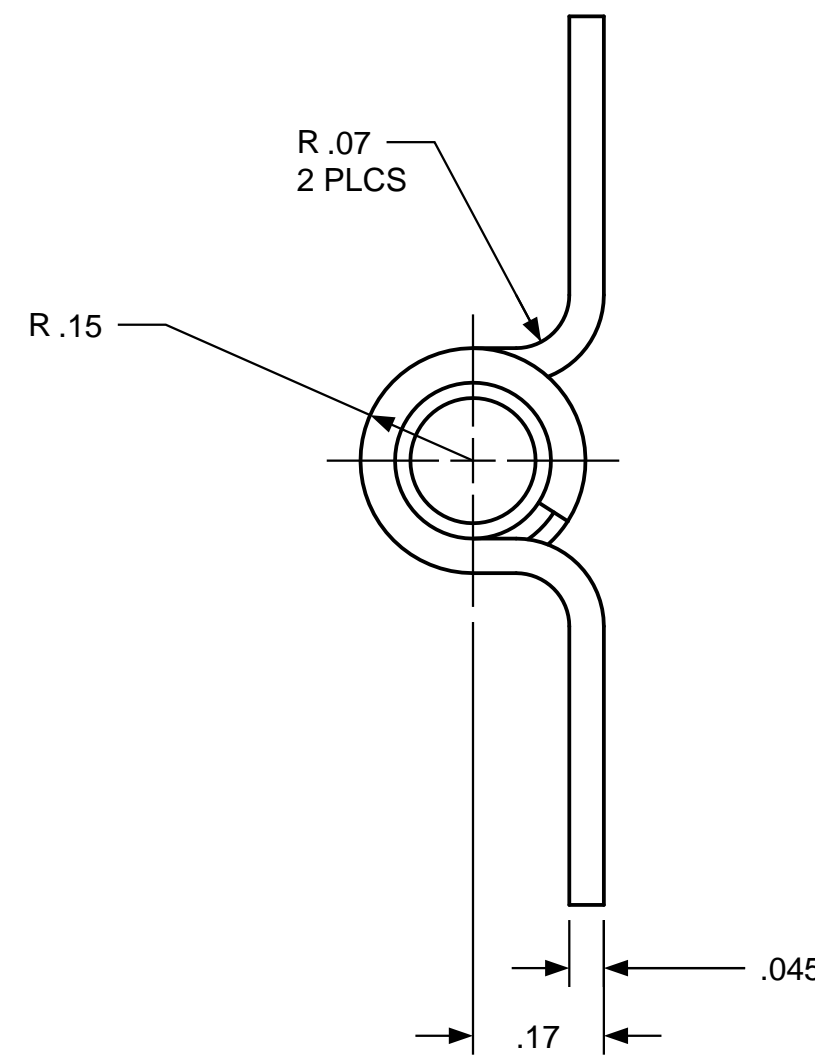
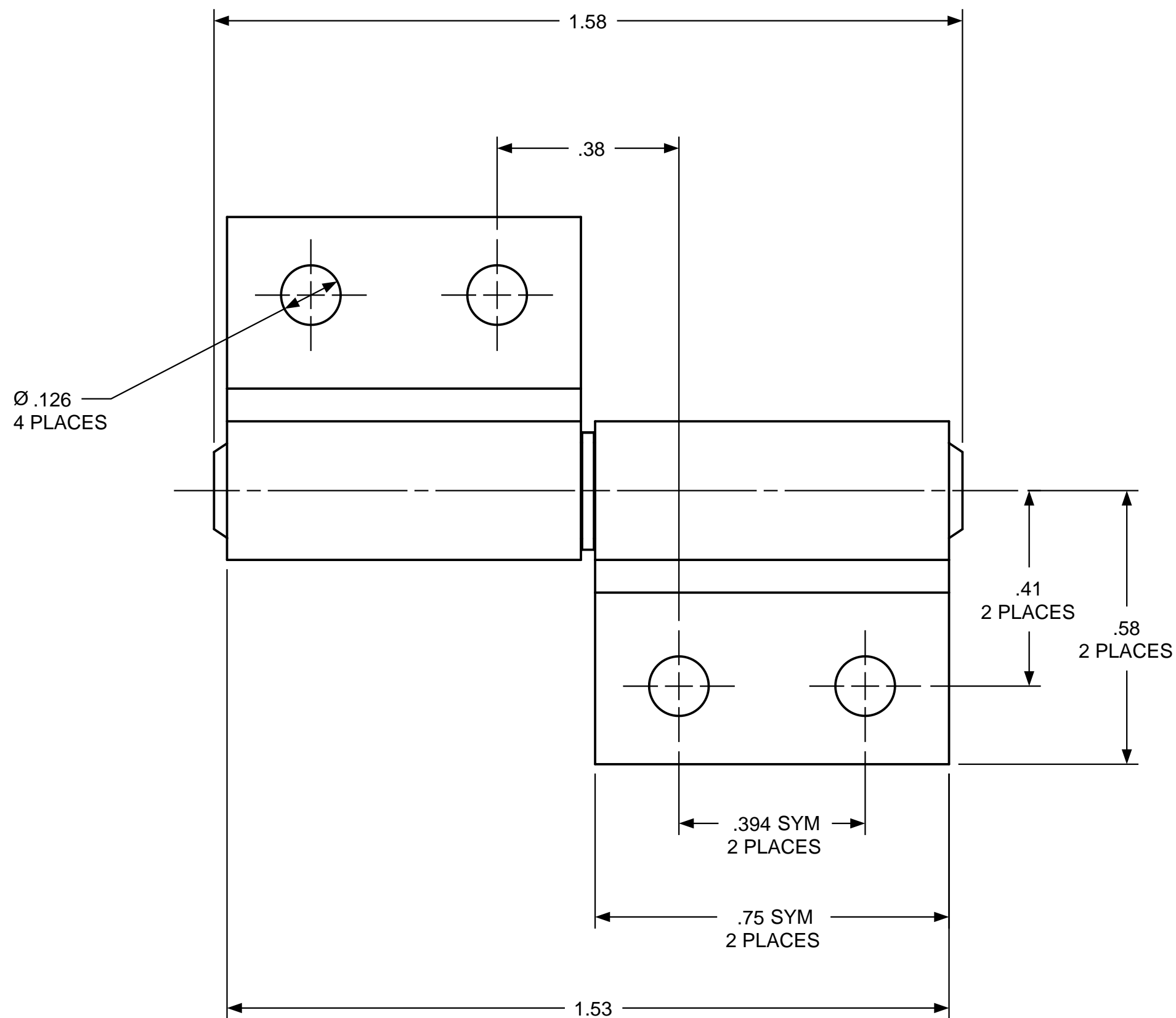


REVISION RECORD				
SYM	DESCRIPTION	BY	DATE	APPD
A	RELEASED FOR MFG.	VC	7/15/13	RA
B	ADDED STD TORQUE CALLOUT	RA	12/28/17	RA



TORQUE CALLOUT
-1- CW 3.0 - 6.0 lb. in
-2- CW 6.0 - 9.0 lb. in
-3- CW 9.0 - 13.0 lb. in
-4- CW 13.0 - 17.0 lb. in
-5- CW 17.0 - 20.0 lb. in

(B)

TORQUE CALLOUT TO FOLLOW MAIN PART #  
EXP: SB 200 SB 101 - 3 (TORQUE CW AS SHOWN 9.0-13.0 IN LB.)

USED ON	SOLID	REV	TOLERANCES		ENGLISH / METRIC		TORQMASTER INTERNATIONAL		200 HARVARD AVE STAMFORD, CT USA	
STANDARD	101		ENGLISH	METRIC						
NEXT ASSY	N/A		.XX ±.015 IN	.X ±.3 MM	DRAWN BY	DATE	MATERIAL	N/A		
<b>QUANTITY</b>			.XXX ±.005 IN	.XX ±.13 MM	RA	4/15/09	TITLE			
PER ASSY, PCS	-		.XXX ±.0002 IN	.XXX ±.05 MM	CHECKED BY	DATE	HINGE INTERFACE			
TOTAL, PCS	-		ANGLES ±0.5° SURFACE 63μ		VC	4/15/13	SIZE	SB 200 SB 101		REV
THIS INFORMATION IS PROPRIETARY TO TORQMASTER, INTL. THE POSSESSOR AGREES TO MAINTAIN IT IN CONFIDENCE, NOT REPRODUCING OR REVEALING IT IN WHOLE OR IN PART.							C			B
							SCALE	1:1		SHEET 1 OF 1