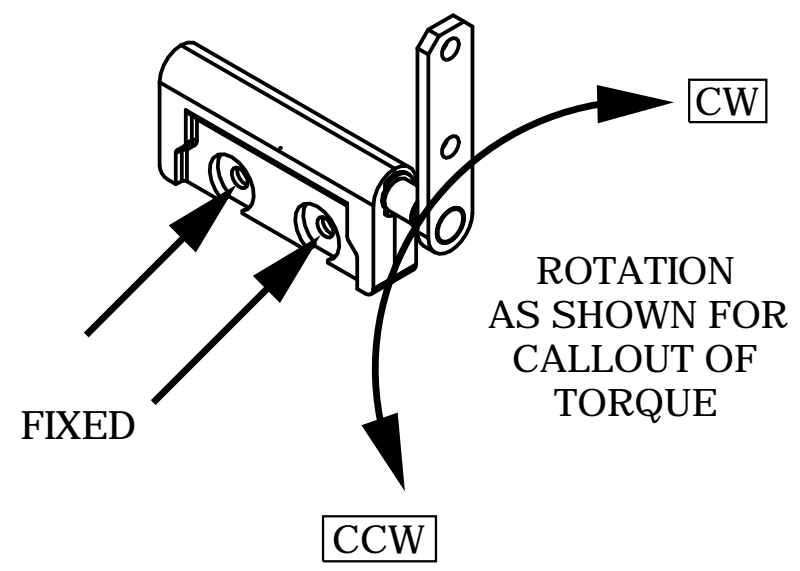
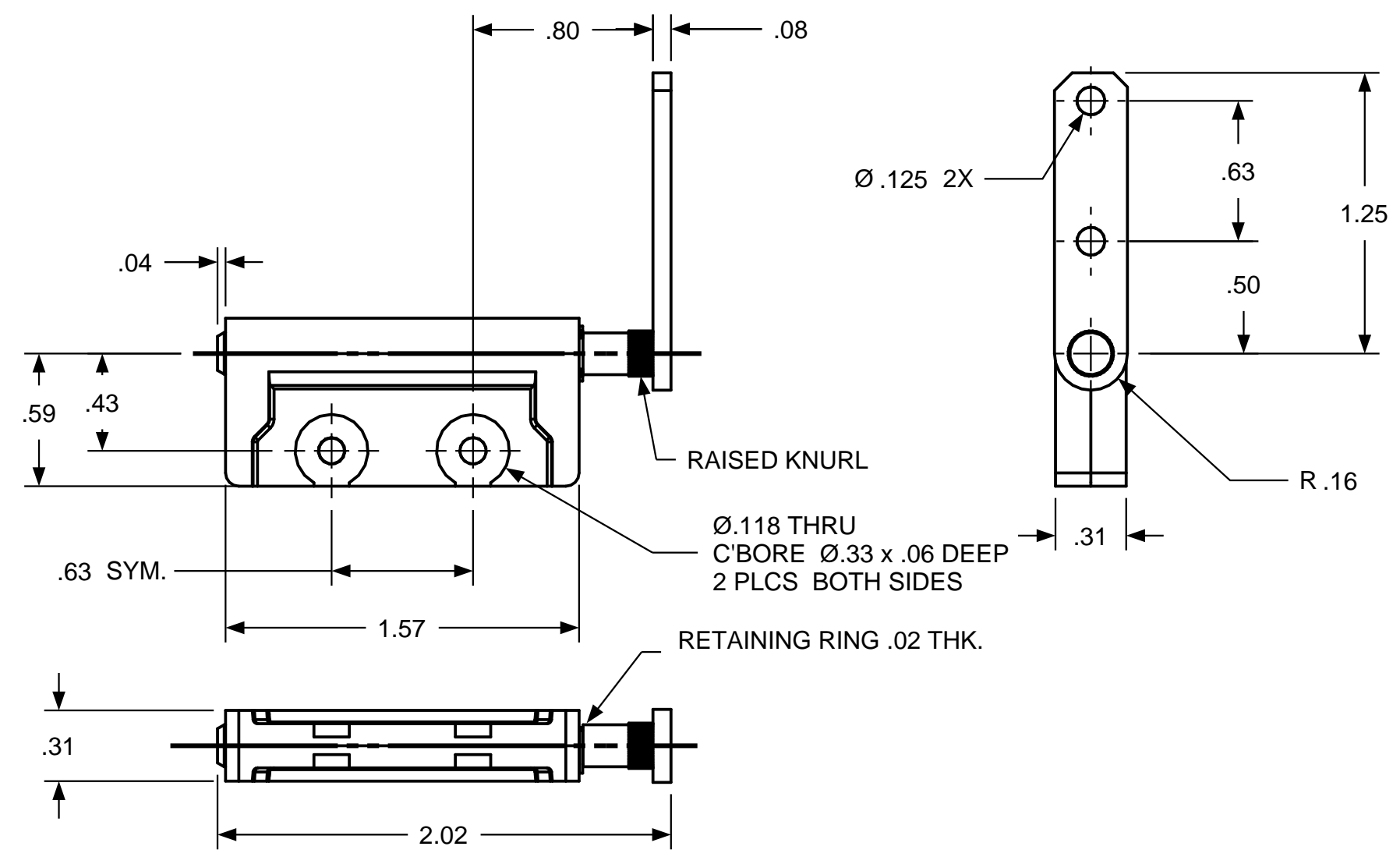


REVISION RECORD				
SYM	DESCRIPTION	BY	DATE	APPD



ROTATION
AS SHOWN FOR
CALLOUT OF
TORQUE



TORQUE		
GEOMETRY	CW TORQUE	CCW TORQUE
ZC 188 SA 101	4	4
ZC 188 SA 101	7	7
ZC 188 SA 101	8	8
ZC 188 SA 101		

**CUSTOM TORQUE
CONFIGURATIONS AVAILABLE
FOR QUOTE:**
www.torqmaster.com
1 - 888 - 41 - HINGE

USED ON	SOLID	REV	TOLERANCES	DRAWN BY	DATE	ENGLISH		TorqMaster, Inc. Stamford, CT USA	
			ENGLISH	RA	12/21/09	MATERIAL		N/A	
NEXT ASSY	N/A		.XX ±.015 IN .XXX ±.005 IN	CHECKED BY	DATE	TITLE		HINGE INTERFACE	
QUANTITY						SIZE		ZC 188 SA 101	
PER ASSY, PCS	-					B		A	
TOTAL, PCS	-					SCALE		NTS SHEET 1 OF 1	
THIS INFORMATION IS PROPRIETARY TO TORQMASTER, INTL. THE POSSESSOR AGREES TO MAINTAIN IT IN CONFIDENCE, NOT REPRODUCING OR REVEALING IT IN WHOLE OR IN PART.									