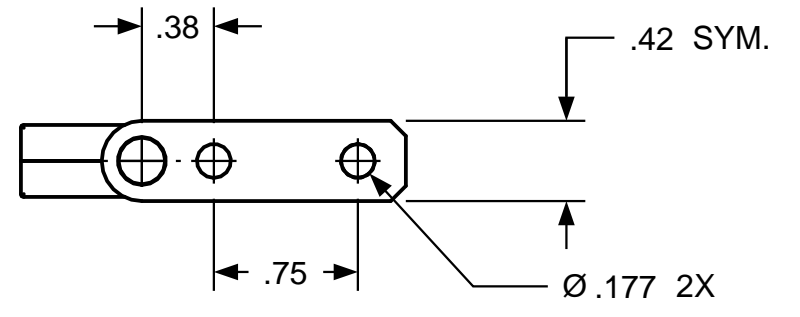
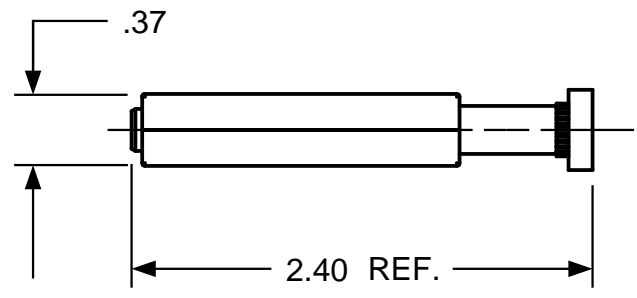
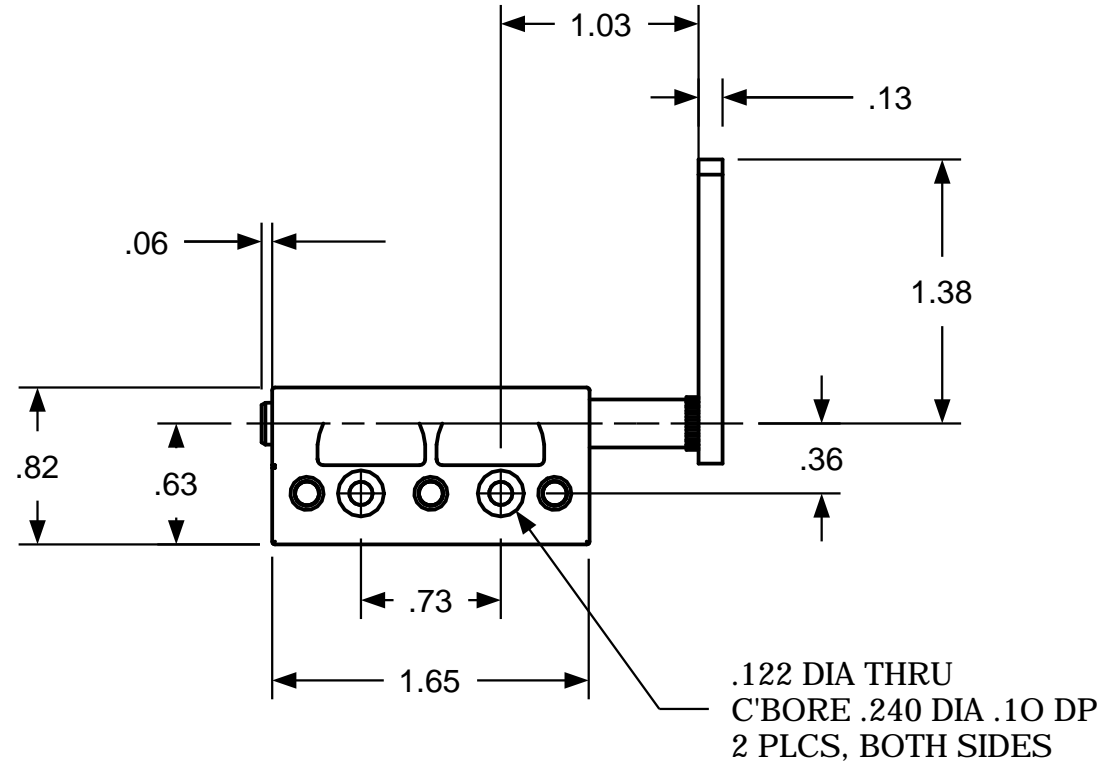
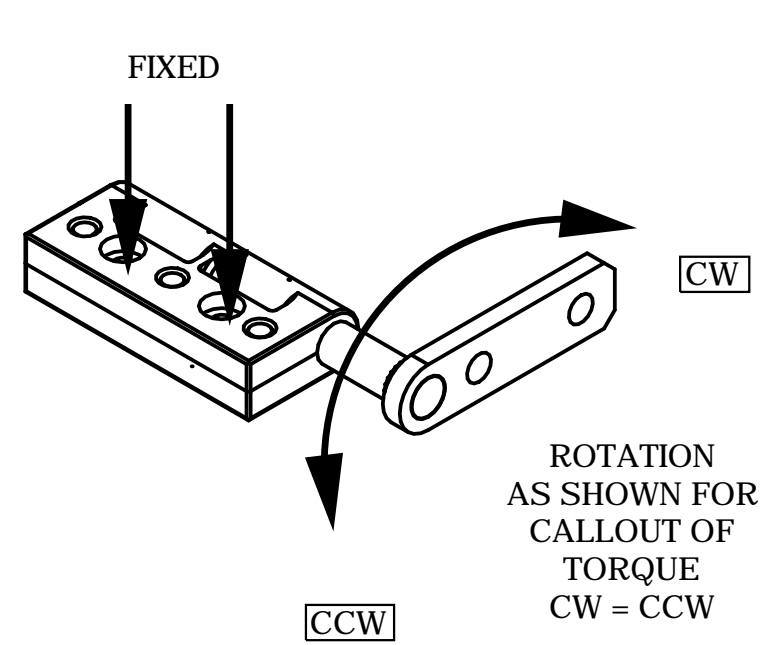

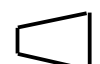


REVISION RECORD				
SYM	DESCRIPTION	BY	DATE	APPD
B	UPDATED TORQUE CONFIG.	VC	9/29/11	RA



TORQUE		
GEOMETRY	CW TORQUE	CCW TORQUE
ZC 250 SA 102	7	7
ZC 250 SA 102	9	X
ZC 250 SA 102	14	14
ZC 250 SA 102		
ZC 250 SA 102		

CUSTOM TORQUE CONFIGURATIONS AVAILABLE. FOR QUOTE:
www.torqmaster.com
 1-888-41-HINGE

USED ON	SOLID	REV	TOLERANCES	DRAWN BY	DATE	ENGLISH	TorqMaster, Inc. Stamford, CT USA		
STANDARD	102	A	ENGLISH	RA	8-3-09				
NEXT ASSY	NONE		.XX ±.015 IN .XXX ±.005 IN .XXXX ±.0002 IN	CHECKED BY	DATE	MATERIAL	N/A		
QUANTITY			 			TITLE			
PER ASSY, pcs		-				HINGE INTERFACE			
TOTAL, pcs		-			SIZE		REV		
THIS INFORMATION IS PROPRIETARY TO TORQMASTER, INTL. THE POSSESSOR AGREES TO MAINTAIN IT IN CONFIDENCE, NOT REPRODUCING OR REVEALING IT IN WHOLE OR IN PART.					B		ZC 250 SA 102		
SCALE		NTS		SHEET		1		OF 1	