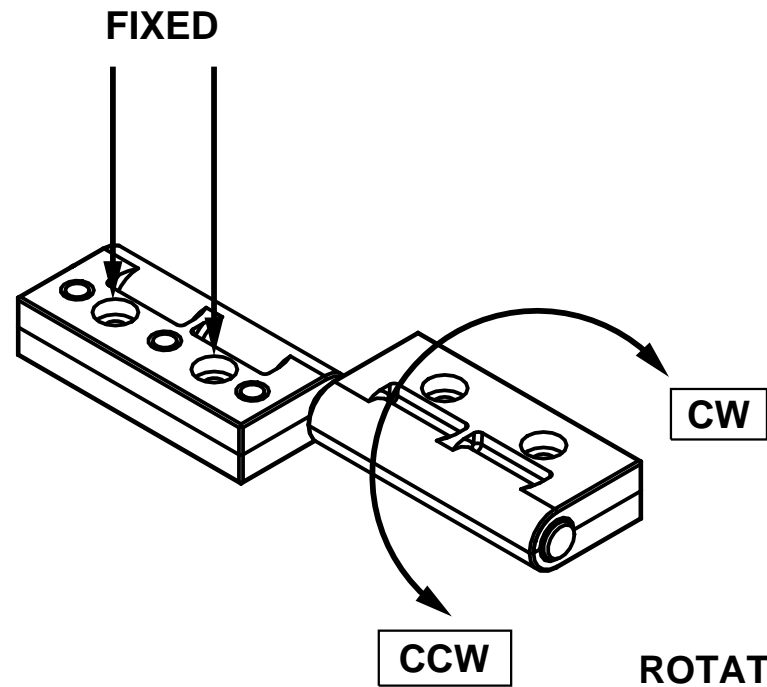
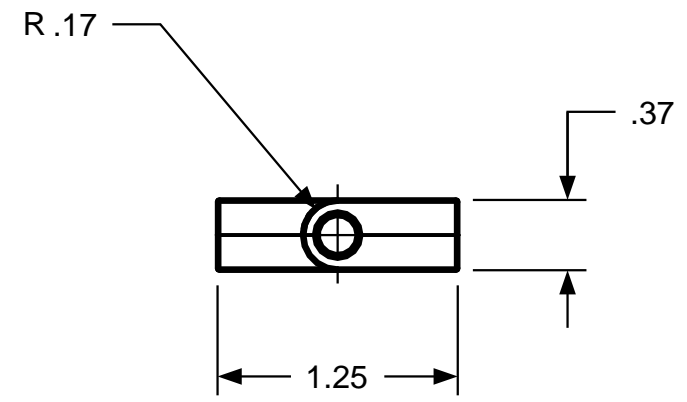
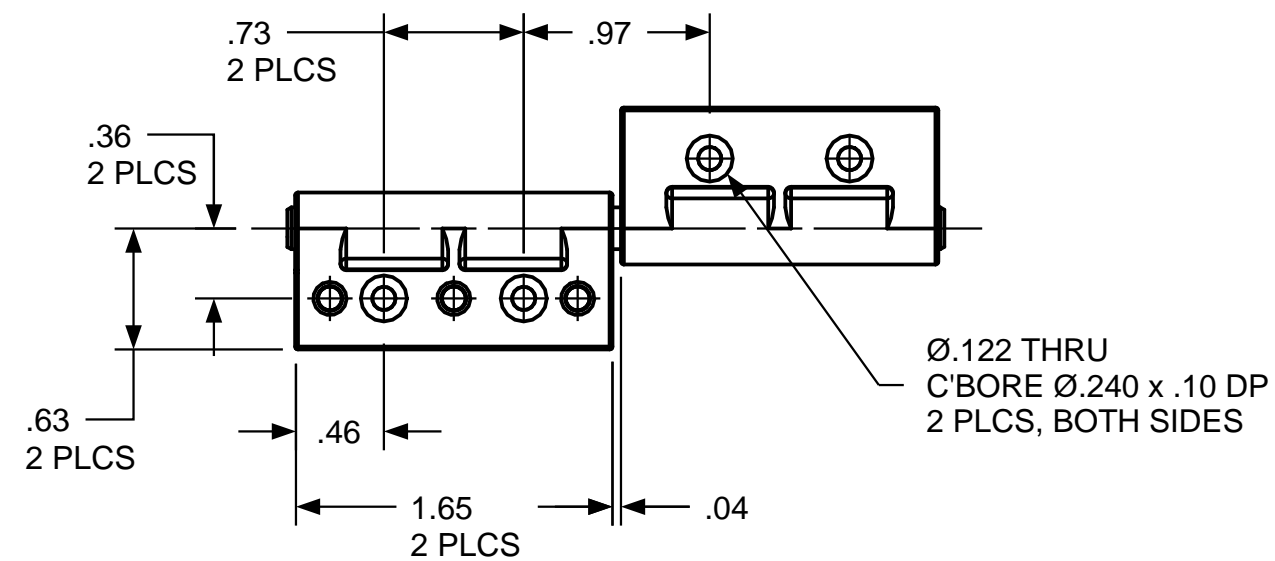


REVISION RECORD				
SYM	DESCRIPTION	BY	DATE	APPD
D	REDRAWN ON NEW FORMAT, NO CHANGES.	RMF	10/17/03	LH



ROTATION AS SHOWN FOR CALLOUT OF TORQUE



TORQUE		
GEOMETRY	CW TORQUE	CCW TORQUE
ZC 250 ZC 101	7	7
ZC 250 ZC 101	10	10
ZC 250 ZC 101	14	14
ZC 250 ZC 101		
ZC 250 ZC 101		

CUSTOM TORQUE CONFIGURATIONS AVAILABLE. FOR QUOTE: www.torqmaster.com 1 - 888 - 41 - HINGE

USED ON	SOLID	REV	TOLERANCES		ENGLISH / METRIC		TorqMaster INTERNATIONAL		200 HARVARD AVE STAMFORD, CT USA		
CUSTOM	101	0.0	ENGLISH	METRIC							
NEXT ASSY	N/A		.XX ±.015 IN	.X ±.3 MM	DRAWN BY	DATE	MATERIAL N/A				
QUANTITY			.XXX ±.005 IN	.XX ±.13 MM	LH	10/17/03	TITLE HINGE INTERFACE				
PER ASSY, PCS			.XXXX ±.0020 IN	.XXX ±.05 MM	CHECKED BY	DATE	SIZE B		REV D		
TOTAL, PCS			ANGLES ±0.5° SURFACE 63 μ		LH	10/17/03	SCALE 1:1		SHEET 1 OF 1		
THIS INFORMATION IS PROPRIETARY TO TORQMASTER, INTL. THE POSSESSOR AGREES TO MAINTAIN IT IN CONFIDENCE, NOT REPRODUCING OR REVEALING IT IN WHOLE OR IN PART.											