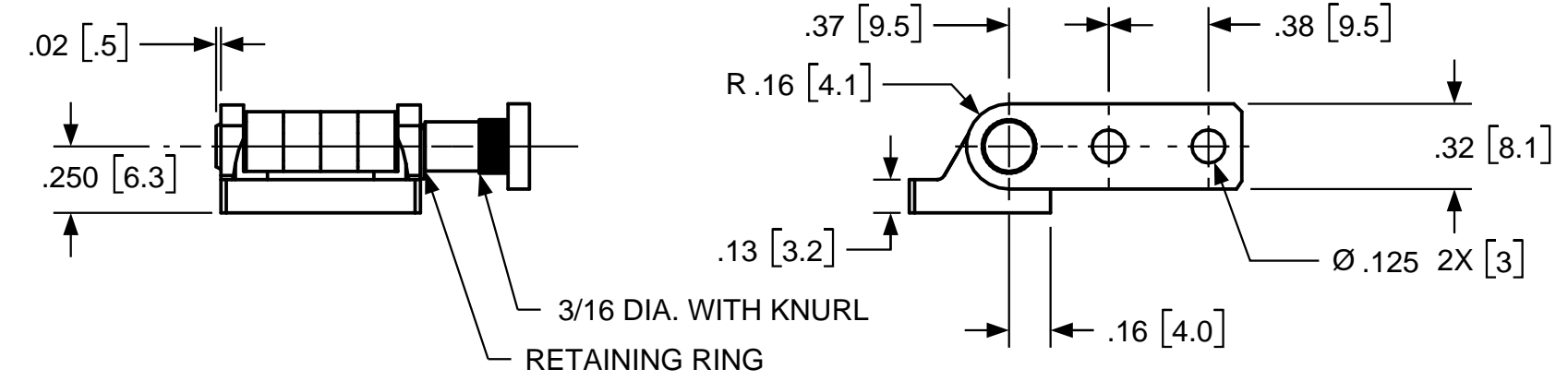
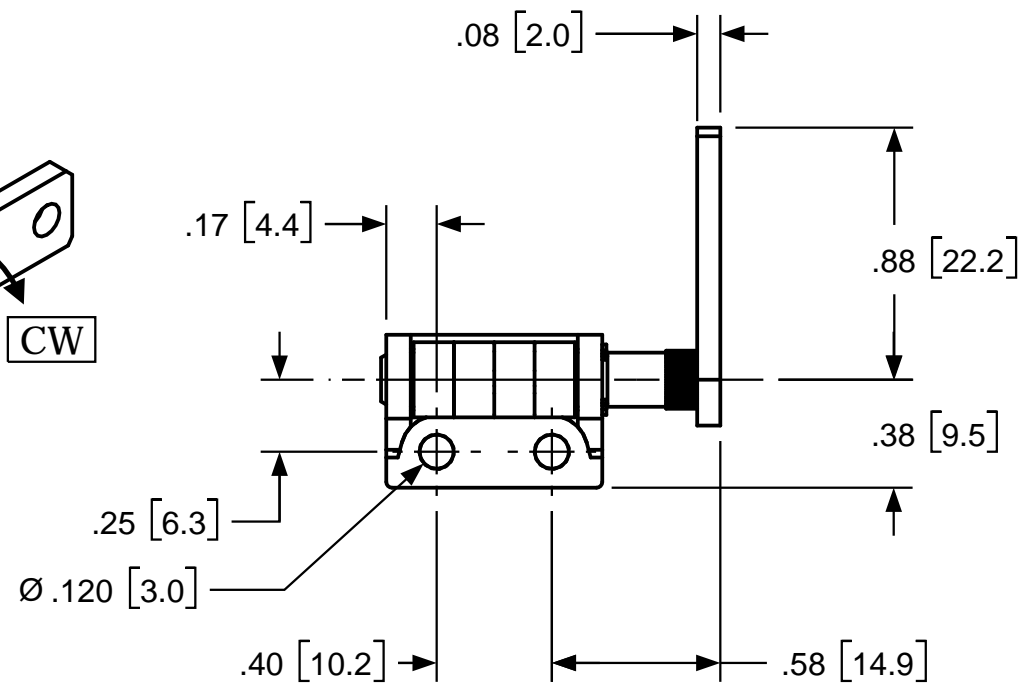
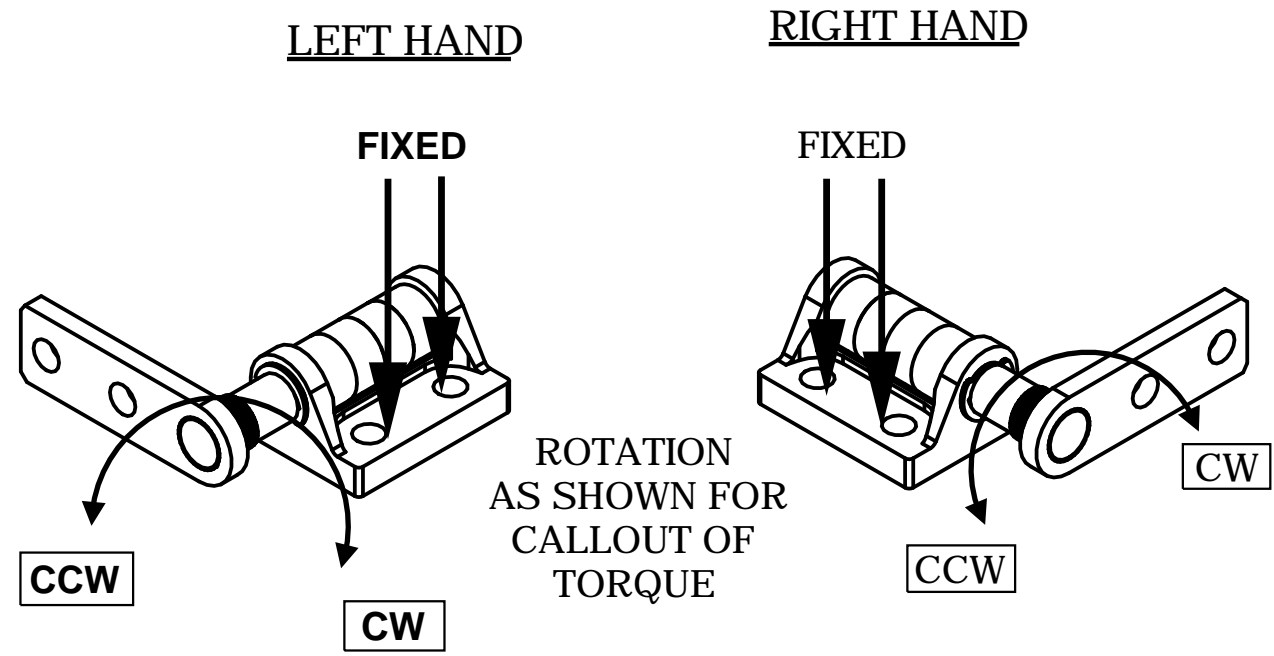


REVISION RECORD				
SYM	DESCRIPTION	BY	DATE	APPD
A	RELEASED FOR MFG	RA	4/10	



TORQUE			
GEOMETRY	CW TORQUE	CCW TORQUE	HAND
ZE 188 SA 102	5	5	L
ZE 188 SA 102	5	5	R
ZE 188 SA 102	8	8	L
ZE 188 SA 102	8	8	R

CUSTOM TORQUE CONFIGURATIONS AVAILABLE. FOR QUOTE:
www.torqmaster.com
 1-888-41-HINGE

USED ON	SOLID	REV	TOLERANCES	DRAWN BY	DATE	ENGLISH / METRIC <i>TorqMaster, Inc.</i>	
STANDARD			ENGLISH / METRIC	RA	4/10	Stamford, CT USA	
NEXT ASSY	N/A		.XX ±.015 IN .XXX ±.005 IN	CHECKED BY	DATE	MATERIAL N/A	
QUANTITY			.X ±.4MM .XX ±.13MM .XXX ±.05MM			TITLE HINGE INTERFACE	
PER ASSY, PCS		-				SIZE B	REV A
TOTAL, PCS		-				SCALE NTS SHEET 1 OF 1	
THIS INFORMATION IS PROPRIETARY TO TORQMASTER, INTL. THE POSSESSOR AGREES TO MAINTAIN IT IN CONFIDENCE, NOT REPRODUCING OR REVEALING IT IN WHOLE OR IN PART.							