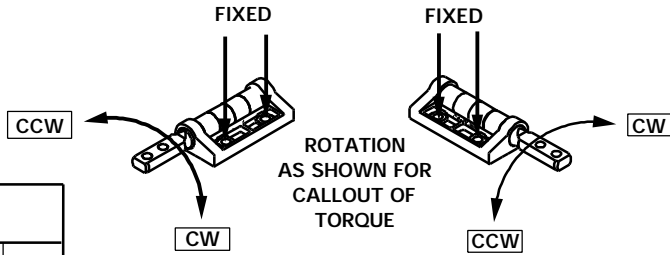


LEFT HAND

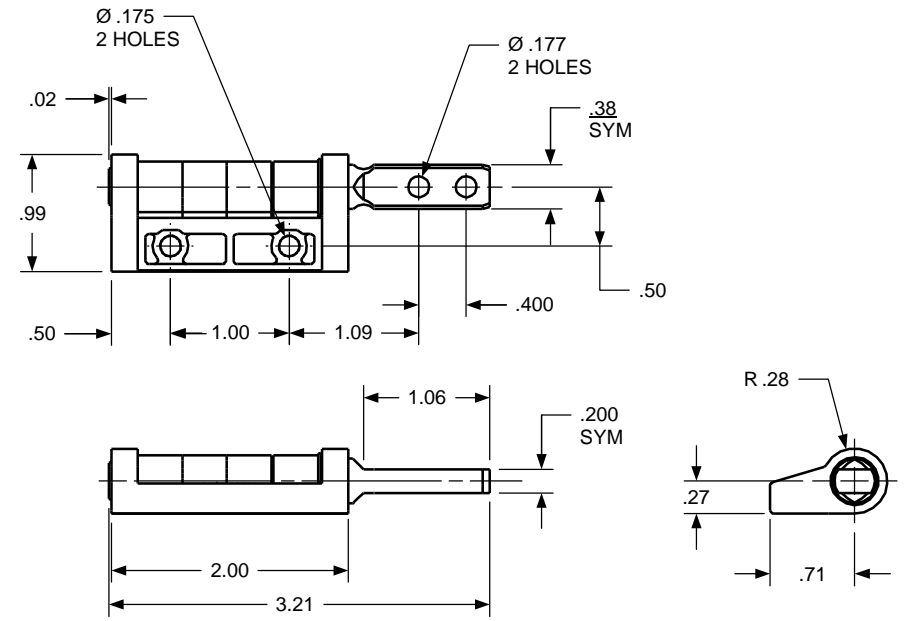
RIGHT HAND



REVISION RECORD				
SYM	DESCRIPTION	BY	DATE	APPD
B	REDRAWN ON NEW FORMAT, NO CHANGES.	RMF	9/1/00	DJC

TORQUE

GEOMETRY	CW TORQUE	CCW TORQUE	HAND
ZE-375-CF-101	20	20	L
ZE-375-CF-101	20	20	R
ZE-375-CF-101	30	30	L
ZE-375-CF-101	30	30	R
ZE-375-CF-101	X	40	L
ZE-375-CF-101	40	X	R
ZE-375-CF-101	40	X	L
ZE-375-CF-101	X	40	R



CUSTOM TORQUE CONFIGURATIONS AVAILABLE.
FOR QUOTE:
www.torqmaster.com
1-888-41-HINGE

USED ON	SOLID	REV	TOLERANCES	DRAWN BY	DATE	ENGLISH		TorqMaster, Inc. Stamford, CT USA	
STANDARD	101	0.0	ENGLISH	RA	5/9/97	MATERIAL		N/A	
NEXT ASSY	NONE		.XX ±.015 in .XXX ±.005 in .XXXX ±.0002 in	CHECKED BY	DATE	TITLE			
QUANTITY				DJC	5/9/97	HINGE INTERFACE			
PER ASSY, pcs	-					SIZE		ZE 375 CF 101	
TOTAL, pcs	-					B			REV
THIS INFORMATION IS PROPRIETARY TO TORQMASTER, INC. THE POSSESSOR AGREES TO MAINTAIN IT IN CONFIDENCE, NOT REPRODUCING OR REVEALING IT IN WHOLE OR IN PART.						SCALE		1:1	
						SHEET		1 OF 1	