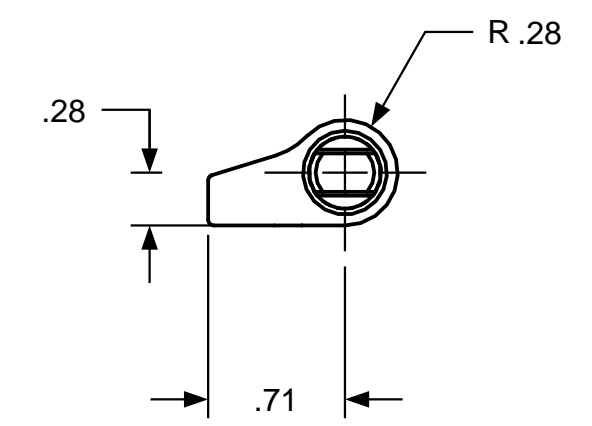
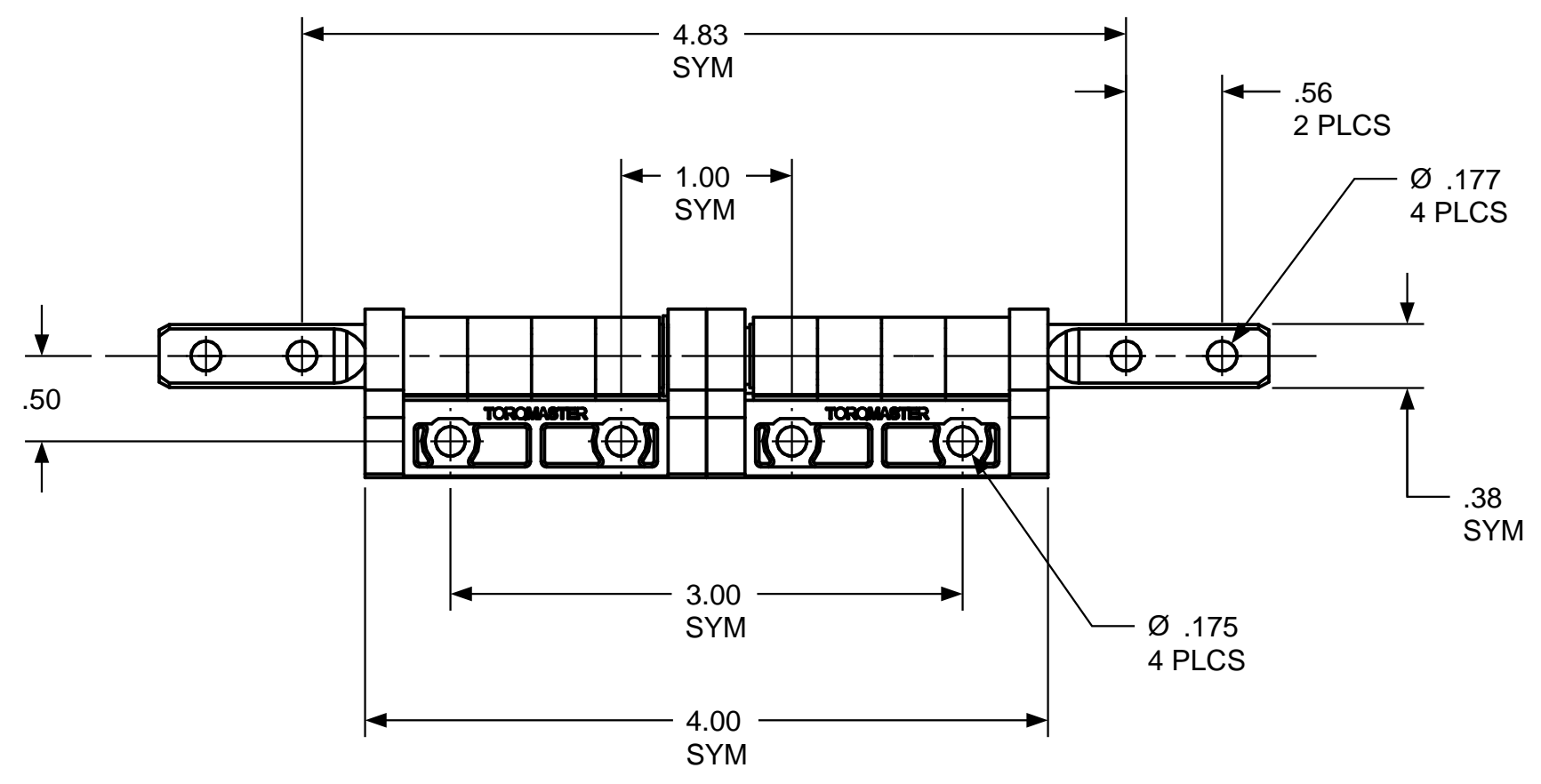
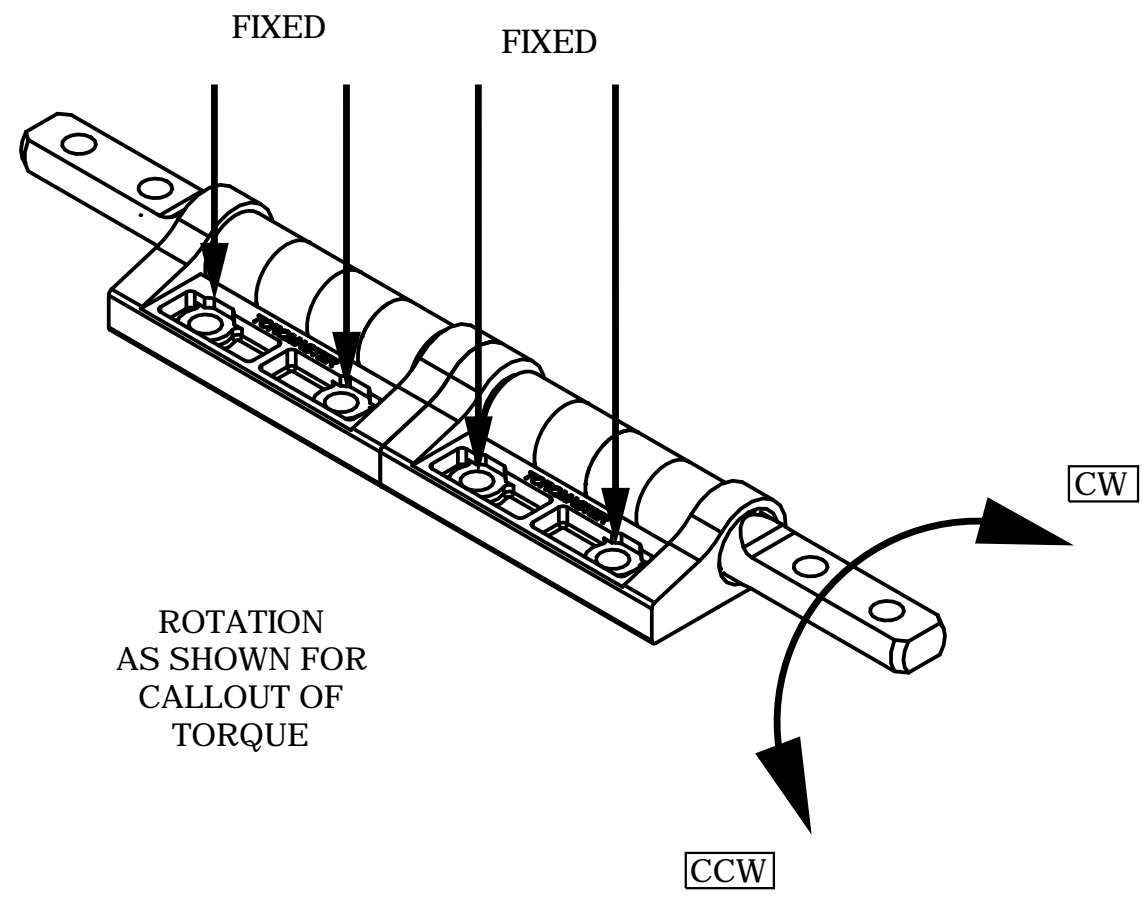


REVISION RECORD				
SYM	DESCRIPTION	BY	DATE	APPD
A	RELEASED PER ERN 07015.	MD	5/31/07	WB
B	UPDATED DIMENSIONS	VC	10/14/10	VC



TORQUE

GEOMETRY	CW TORQUE	CCW TORQUE	HAND
ZE 375 CF 253	40	40	
ZE 375 CF 253	45	X	
ZE 375 CF 253	50	X	
ZE 375 CF 253	60	60	
ZE 375 CF 253	60	X	
ZE 375 CF 253	80	80	
ZE 375 CF 253	80	X	
ZE 375 CF 253	X	80	
ZE 375 CF 253	120	120	
ZE 375 CF 253	120	X	
ZE 375 CF 253	X	120	

CUSTOM TORQUE CONFIGURATIONS AVAILABLE. FOR QUOTE: www.torqmaster.com 1 - 888 - 41 - HINGE

USED ON	SOLID	REV	TOLERANCES		ENGLISH / METRIC		TORQMASTER INTERNATIONAL		200 HARVARD AVE STAMFORD, CT USA		
CUSTOM	253	0.0	ENGLISH	METRIC							
NEXT ASSY	N/A		.XX ±.015 IN	.X ±.3 MM	DRAWN BY	DATE	MATERIAL N/A				
QUANTITY			.XXX ±.005 IN	.XX ±.13 MM	MD	5/30/07	TITLE HINGE INTERFACE				
PER ASSY, PCS	-		.XXX ±.0002 IN	.XXX ±.05 MM	CHECKED BY	DATE	SIZE C				
TOTAL, PCS	-		ANGLES ±0.5° SURFACE 63		WB	5/31/07	ZE 375 CF 253				
THIS INFORMATION IS PROPRIETARY TO TORQMASTER, INTL. THE POSSESSOR AGREES TO MAINTAIN IT IN CONFIDENCE, NOT REPRODUCING OR REVEALING IT IN WHOLE OR IN PART.							SCALE 1:1		SHEET 1 OF 1		
					REV B						