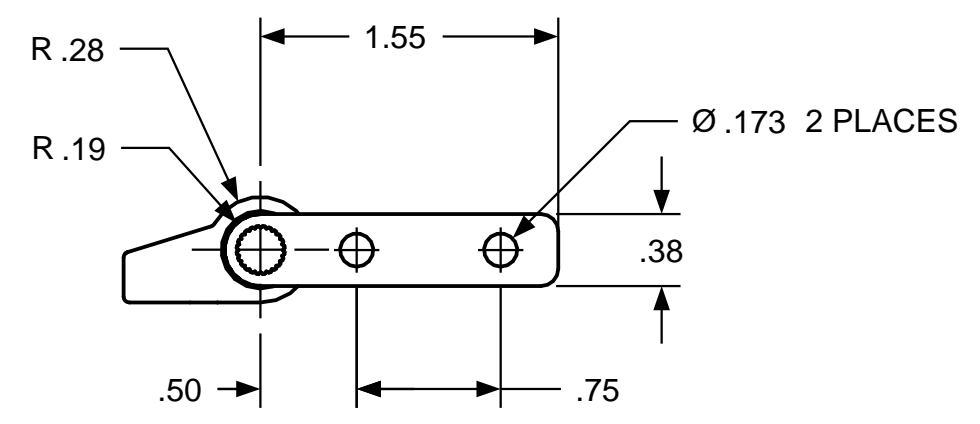
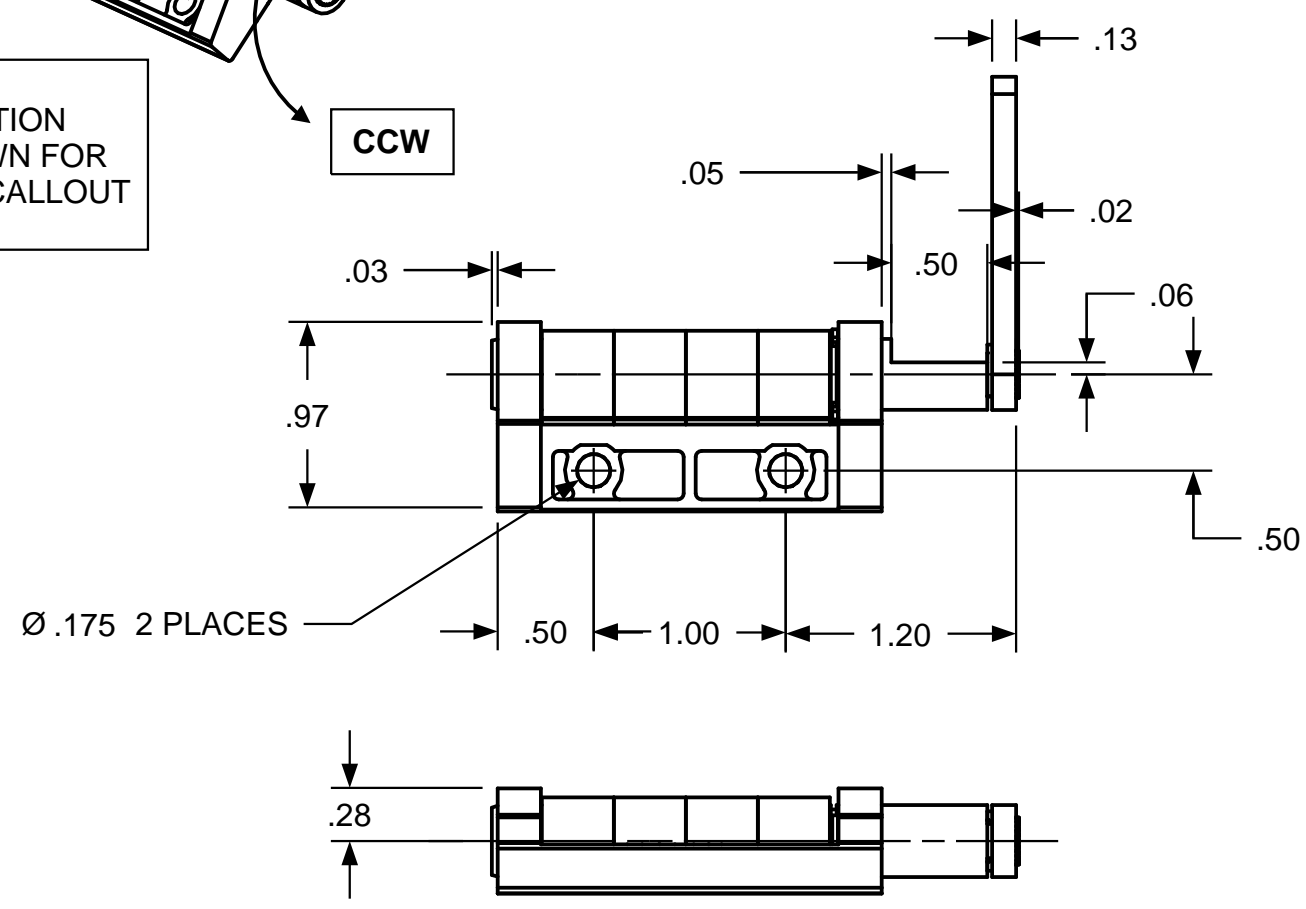
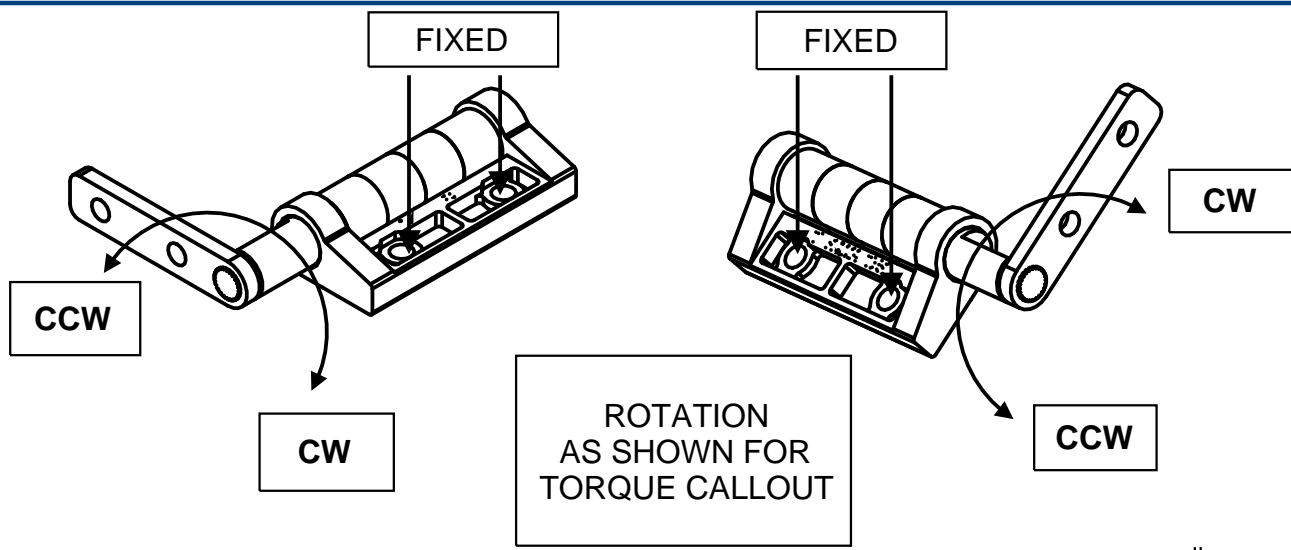


REVISION RECORD				
SYM	DESCRIPTION	BY	DATE	APPD
A	RELEASED FOR MFG.	djc	07-10	



TORQUE

GEOMETRY	CW TORQUE	CCW TORQUE	HAND
ZE-375-SA-104	20	20	L
ZE-375-SA-104	20	20	R
ZE-375-SA-104	30	30	L
ZE-375-SA-104	30	30	R
ZE-375-SA-104	X	40	L
ZE-375-SA-104	40	X	R
ZE-375-SA-104	40	X	L
ZE-375-SA-104	X	40	R

CUSTOM TORQUE CONFIGURATIONS AVAILABLE. FOR QUOTE: www.torqmaster.com 1-888-41-HINGE

USED ON	SOLID	REV	TOLERANCES		ENGLISH / METRIC		TorqMaster INTERNATIONAL		200 HARVARD AVE STAMFORD, CT USA	
CUSTOM		0.0	ENGLISH	METRIC						
NEXT ASSY	N/A		.XX ±.015 IN .XXX ±.005 IN .XXXX ±.0002 IN	.X ±.3 MM .XX ±.13 MM .XXX ±.05 MM	DRAWN BY	DATE	MATERIAL N/A			
QUANTITY			ANGLES ±0.5° SURFACE 63μ		RA	8-10-09	TITLE HINGE INTERFACE			
PER ASSY, PCS	-				CHECKED BY	DATE	SIZE	ZE 375 SA 104		REV
TOTAL, PCS	-						B			A
THIS INFORMATION IS PROPRIETARY TO TORQMASTER, INTL. THE POSSESSOR AGREES TO MAINTAIN IT IN CONFIDENCE, NOT REPRODUCING OR REVEALING IT IN WHOLE OR IN PART.							SCALE	NTS	SHEET	1 OF 1