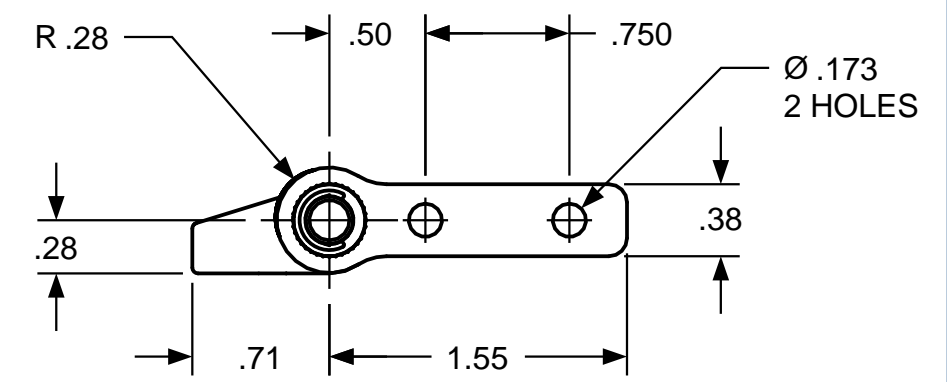
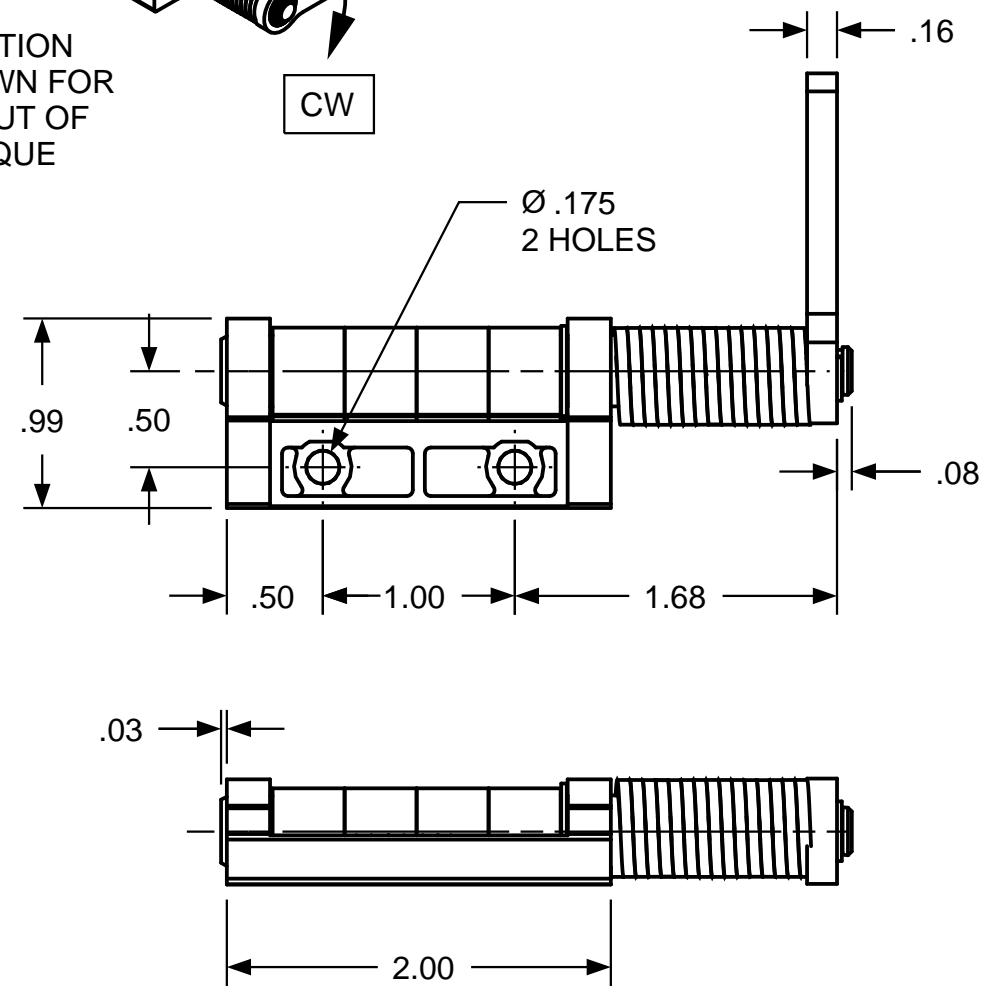
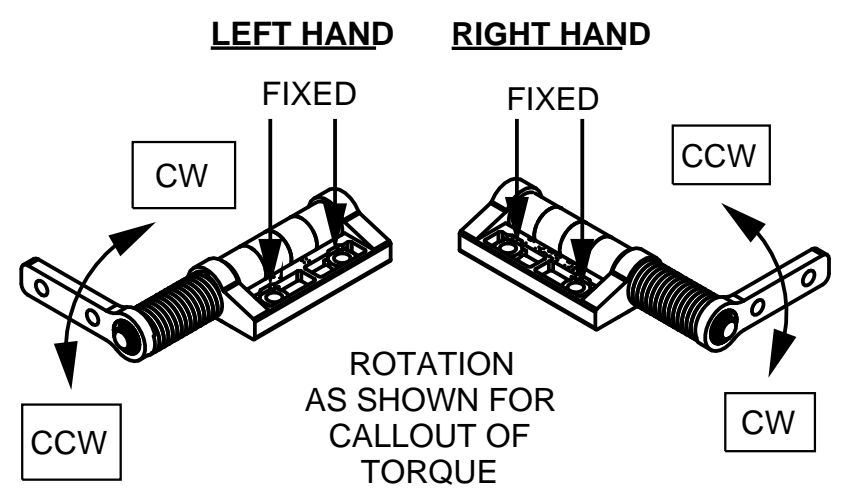


| REVISION RECORD |                             |    |         |      |
|-----------------|-----------------------------|----|---------|------|
| SYM             | DESCRIPTION                 | BY | DATE    | APPD |
| A               | RELEASED FOR MFG.           | VC | 2/15/13 | DC   |
| B               | UPDATED, LARGER WRAP SPRING | VC | 3/18/13 | DC   |



**TORQUE**

| GEOMETRY      | CW TORQUE | CCW TORQUE | HAND |
|---------------|-----------|------------|------|
| ZE 375 SA 110 | 0         | 20         | L    |
| ZE 375 SA 110 | 20        | 0          | R    |
| ZE 375 SA 110 | 20        | 0          | L    |
| ZE 375 SA 110 | 0         | 20         | R    |
| ZE 375 SA 110 | 0         | 40         | L    |
| ZE 375 SA 110 | 40        | 0          | R    |
| ZE 375 SA 110 | 40        | 0          | L    |
| ZE 375 SA 110 | 0         | 40         | R    |

CUSTOM TORQUE CONFIGURATIONS AVAILABLE. FOR QUOTE: [www.torqmaster.com](http://www.torqmaster.com) 1-888-41-HINGE

| USED ON  | SOLID | REV | TOLERANCES                                       |  | ENGLISH / METRIC |         | TorqMaster INTERNATIONAL |  | 200 HARVARD AVE STAMFORD, CT USA |  |
|--|-------|-----|--|--|------------------|---------|--------------------------|--|----------------------------------|--|
| CUSTOM   | 110   | B   | ENGLISH  | METRIC                                   |                  |         |                          |  |                                  |  |
| NEXT ASSY  | N/A   |     | .XX ±.015 IN<br>.XXX ±.005 IN<br>.XXXX ±.0002 IN | .X ±.4 MM<br>.XX ±.13 MM<br>.XXX ±.05 MM | DRAWN BY         | DATE    | MATERIAL N/A             |  |                                  |  |
| <b>QUANTITY</b>  |       |     |  |  | VC               | 2/15/13 | TITLE HINGE INTERFACE    |  |                                  |  |
| PER ASSY, PCS  | -     |     |  |  | CHECKED BY       | DATE    | SIZE B                   |  | REV B                            |  |
| TOTAL, PCS   | -     |     |  |  | DC               | 2/15/13 | ZE 375 SA 110            |  |                                  |  |
| THIS INFORMATION IS PROPRIETARY TO TORQMASTER, INTL. THE POSSESSOR AGREES TO MAINTAIN IT IN CONFIDENCE, NOT REPRODUCING OR REVEALING IT IN WHOLE OR IN PART. |       |     |  |  |                  |         | SCALE NTS                |  | SHEET 1 OF 1                     |  |