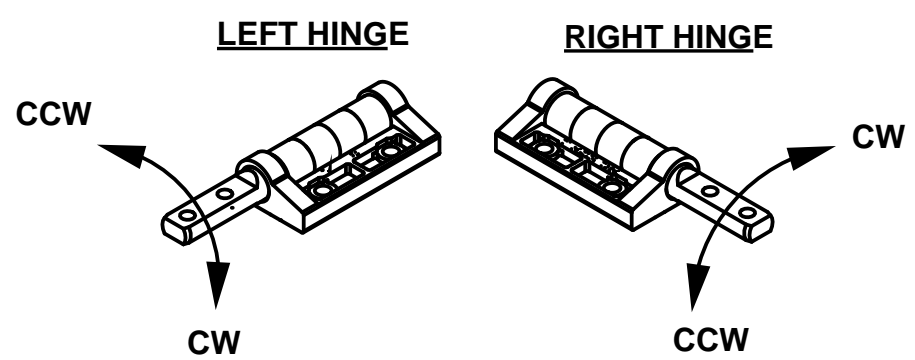
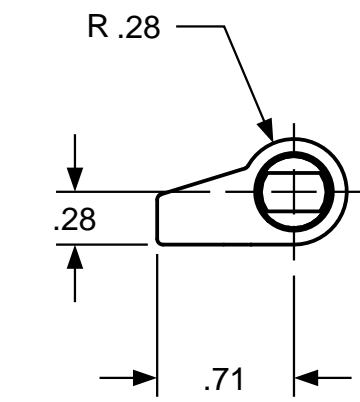
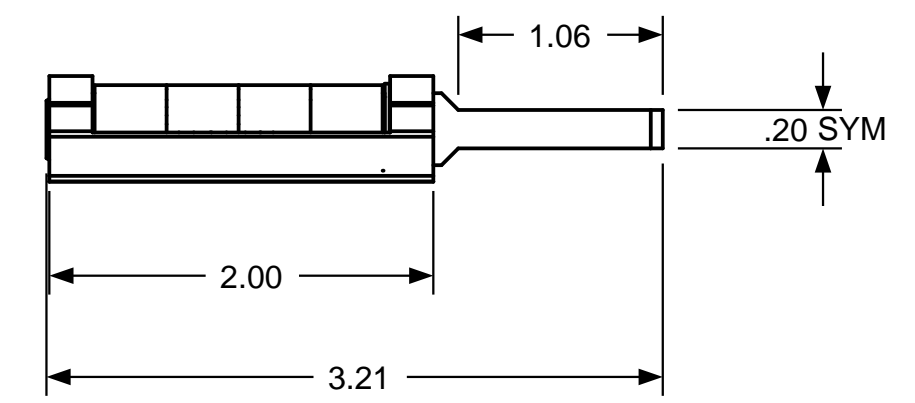
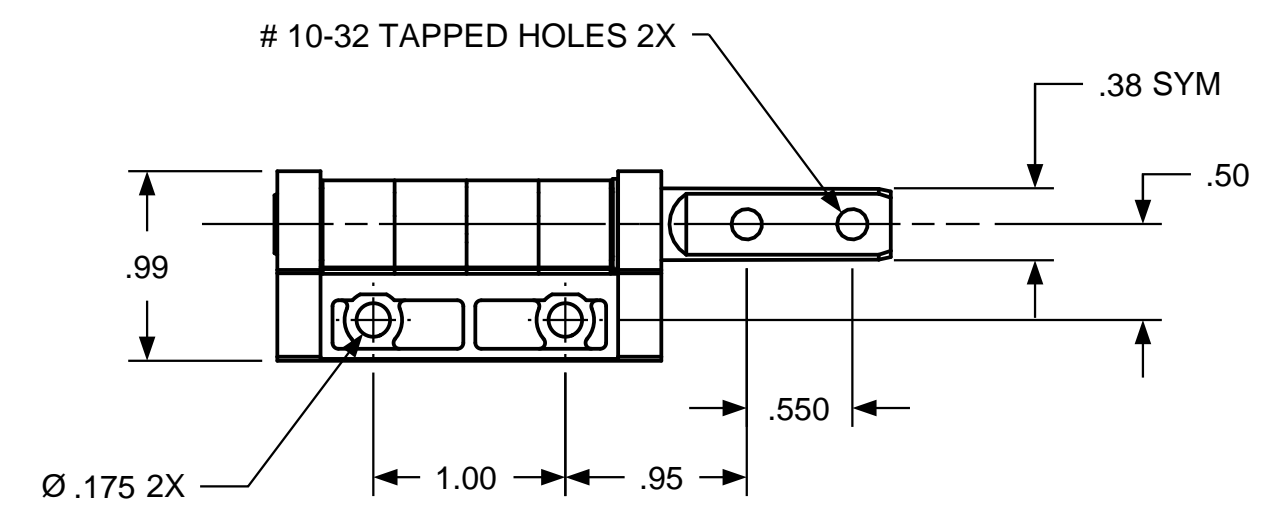


REVISION RECORD				
SYM	DESCRIPTION	BY	DATE	APPD
A	RELEASED FOR MFG	VC	4-11-11	DC



ROTATION OF SHAFT WITH HOUSING FIXED



TORQUE			
GEOMETRY	CW TORQUE	CCW TORQUE	HAND
ZE-375-TS-105	20	20	L
ZE-375-TS-105	20	20	R
ZE-375-TS-105	30	30	L
ZE-375-TS-105	30	30	R
ZE-375-TS-105	X	40	L
ZE-375-TS-105	40	X	R
ZE-375-TS-105	40	X	L
ZE-375-TS-105	X	40	R

CUSTOM TORQUE CONFIGURATIONS AVAILABLE. FOR QUOTE: [www.torqmaster.com](http://www.torqmaster.com) 1-888-41-HINGE

USED ON	SOLID	REV	TOLERANCES		ENGLISH / METRIC		TorqMaster INTERNATIONAL		200 HARVARD AVE STAMFORD, CT USA	
CUSTOM	105	A	ENGLISH	METRIC						
NEXT ASSY	N/A		.XX ±.015 IN .XXX ±.005 IN .XXXX ±.0002 IN	.X ±.3 MM .XX ±.13 MM .XXX ±.05 MM	DRAWN BY	DATE	MATERIAL N/A			
<b>QUANTITY</b>			ANGLES ±0.5° SURFACE 63μ		VC	4-11-11	TITLE HINGE INTERFACE			
PER ASSY, PCS	-				CHECKED BY	DATE	SIZE B		REV A	
TOTAL, PCS	-				DC	4-11-11	ZE375 TS 105			
THIS INFORMATION IS PROPRIETARY TO TORQMASTER, INTL. THE POSSESSOR AGREES TO MAINTAIN IT IN CONFIDENCE, NOT REPRODUCING OR REVEALING IT IN WHOLE OR IN PART.							SCALE	NTS	SHEET	1 OF 1