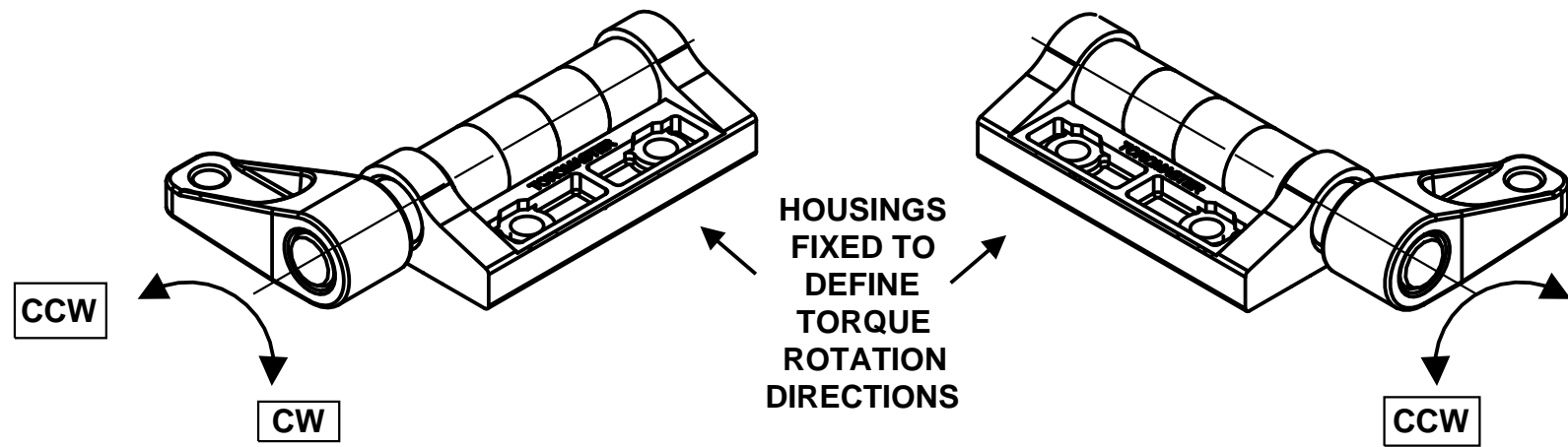
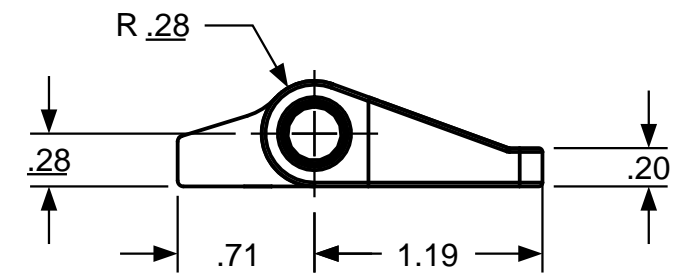
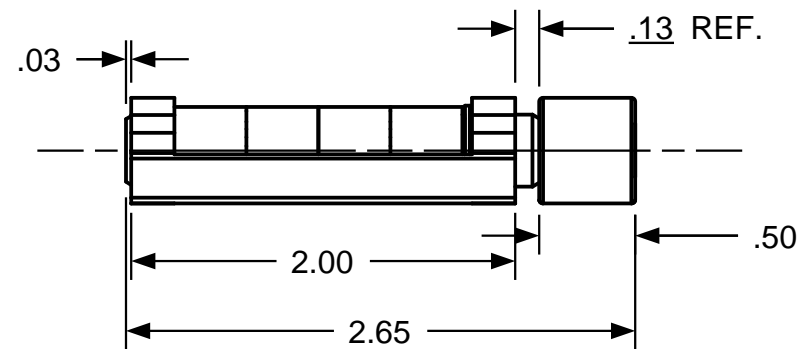
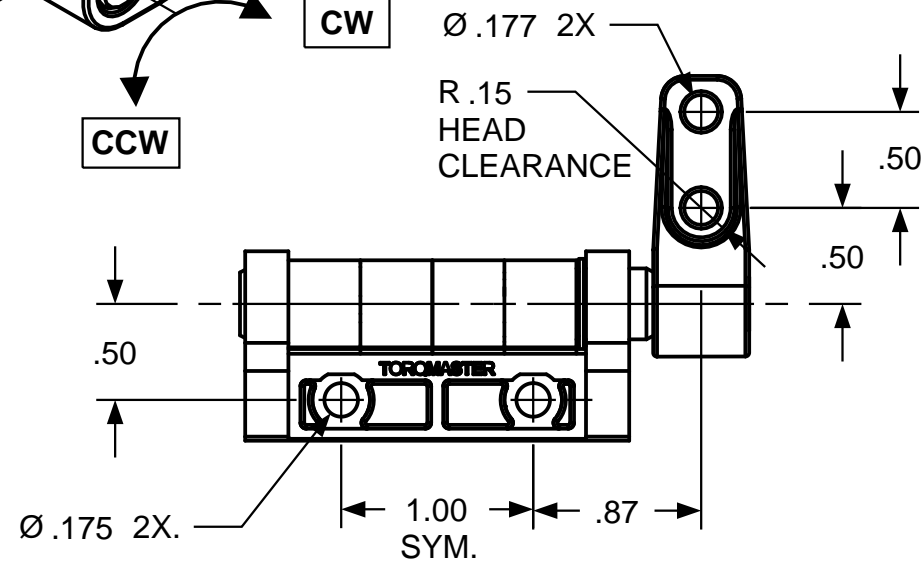


**LEFT HAND**

**RIGHT HAND**






**Available Torque per Hinge  
10-80 inch pounds  
Balanced or Unbalanced Torque  
(Symmetric / Asymmetric)**



**REVISION RECORD**

SYM	DESCRIPTION	BY	DATE	APPD
A	RELEASED FOR MFG.	RA	5/8/18	RA

USED ON	SOLID	REV	TOLERANCES		ENGLISH		 <b>TORQMASTER INTERNATIONAL</b> 200 HARVARD AVE STAMFORD, CT USA	
STANDARD	101	A	ENGLISH	METRIC				
NEXT ASSY	N/A		.XX ±.015 IN	.X ±.4 MM	DRAWN BY	DATE	MATERIAL <b>N/A</b>	
<b>QUANTITY</b>			.XXX ±.005 IN	.XX ±.13 MM	RA	4/11/18	TITLE <b>HINGE INTERFACE</b>	
PER ASSY, PCS			.XXXX ±.0002 IN	.XXX ±.05 MM	CHECKED BY	DATE	SIZE <b>ZE 375 ZA 101</b>	
TOTAL, PCS						RA	5/8/18	REV <b>A</b>
THIS INFORMATION IS PROPRIETARY TO <b>TORQMASTER, INTL.</b> THE POSSESSOR AGREES TO MAINTAIN IT IN CONFIDENCE, NOT REPRODUCING OR REVEALING IT IN WHOLE OR IN PART.					 		SCALE <b>NTS</b>	SHEET <b>1</b> OF <b>1</b>